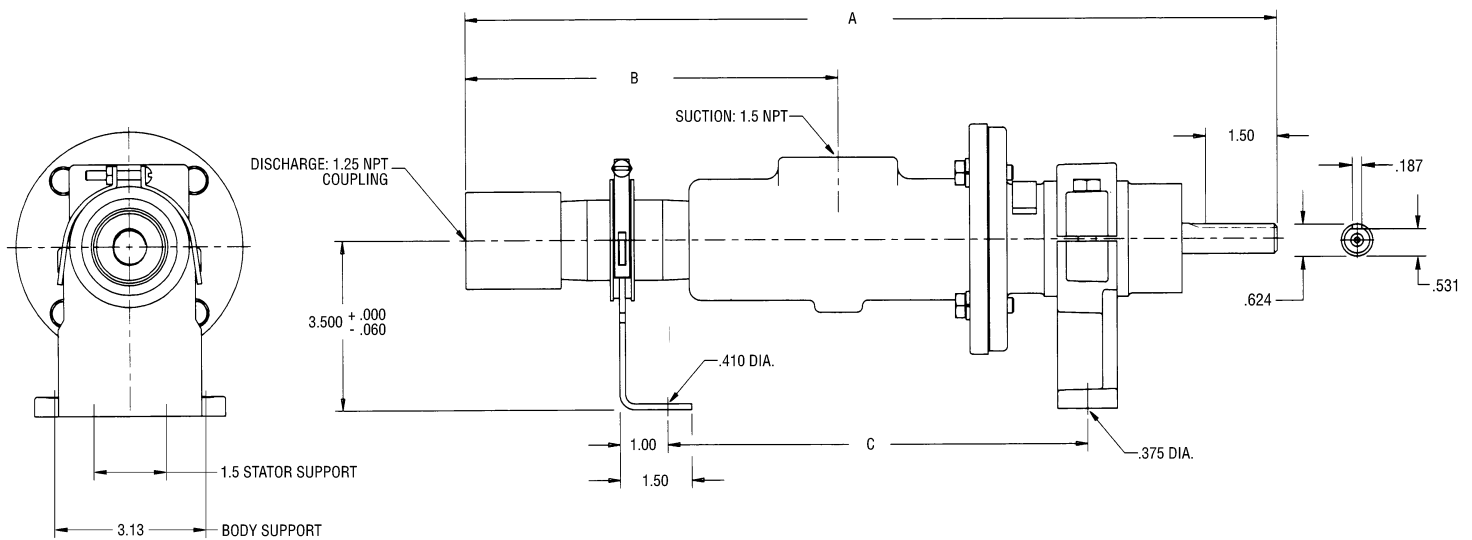


SPECIFICATION DATA
METERING/DOSING PUMP
BARE SHAFT
A4015A, A4100A, AND A4190A MODELS

DIMENSIONS



SIZE	A-DIM	B-DIM	C-DIM
015	17.00	7.80	8.79
100	18.67	9.48	9.63
190	21.24	12.04	10.91

NOTE: Bare shaft models available with single mechanical seal, double mechanical seal, or packing. Double seal and packing models fit an adapter between suction housing and bearing housing. Adding 3-11/16" to dimensions "A" and "C".

MATERIALS OF CONSTRUCTION

COMPONENT	BARE SHAFT MODELS		
	A4015A	A4100A	A4190A
Housings	316 SS/Cast Iron	316 SS/Cast Iron	316 SS/Cast Iron
Rotor, Chrome PL	316 SS/416 SS	316 SS/416 SS	316 SS/416 SS
Stator	Nitrile, Natural EPDM, Fluoroelastomer	Nitrile, Natural EPDM, Fluoroelastomer	Nitrile, Natural EPDM, Fluoroelastomer
Weight (lbs)	17	18	19

All dimensions are in inches. Specifications subject to change without notice.



Always the Right Solution™

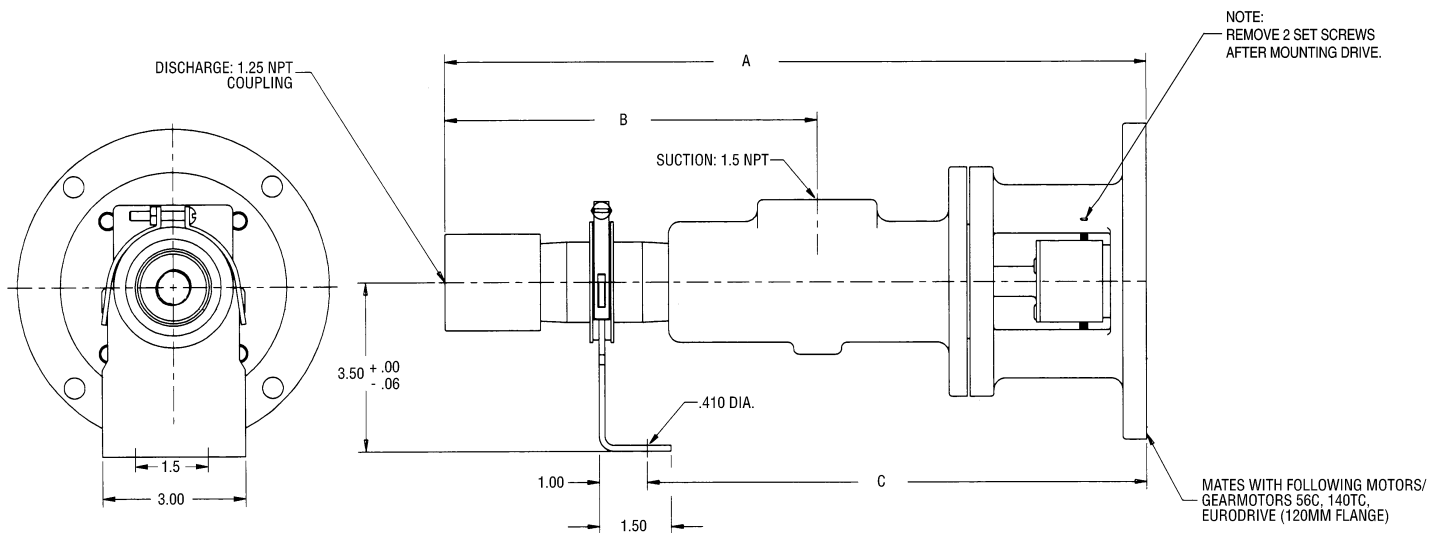
Section:
METERING/DOSING PUMP

Page: 2 of 4

Date: August 1, 2001

SPECIFICATION DATA
METERING/DOSING PUMP
CLOSE COUPLED
B4015B, B4100B, B4190B, B4015C, B4100C, B4190C,
B4015D, B4100D, AND B4190D MODELS

DIMENSIONS



SIZE	A-DIM	B-DIM	C-DIM
015	14.69	7.80	10.72
100	16.37	9.48	11.56
190	18.93	12.04	12.84

NOTE: Close coupled models available with mechanical seal or packing.

MATERIALS OF CONSTRUCTION

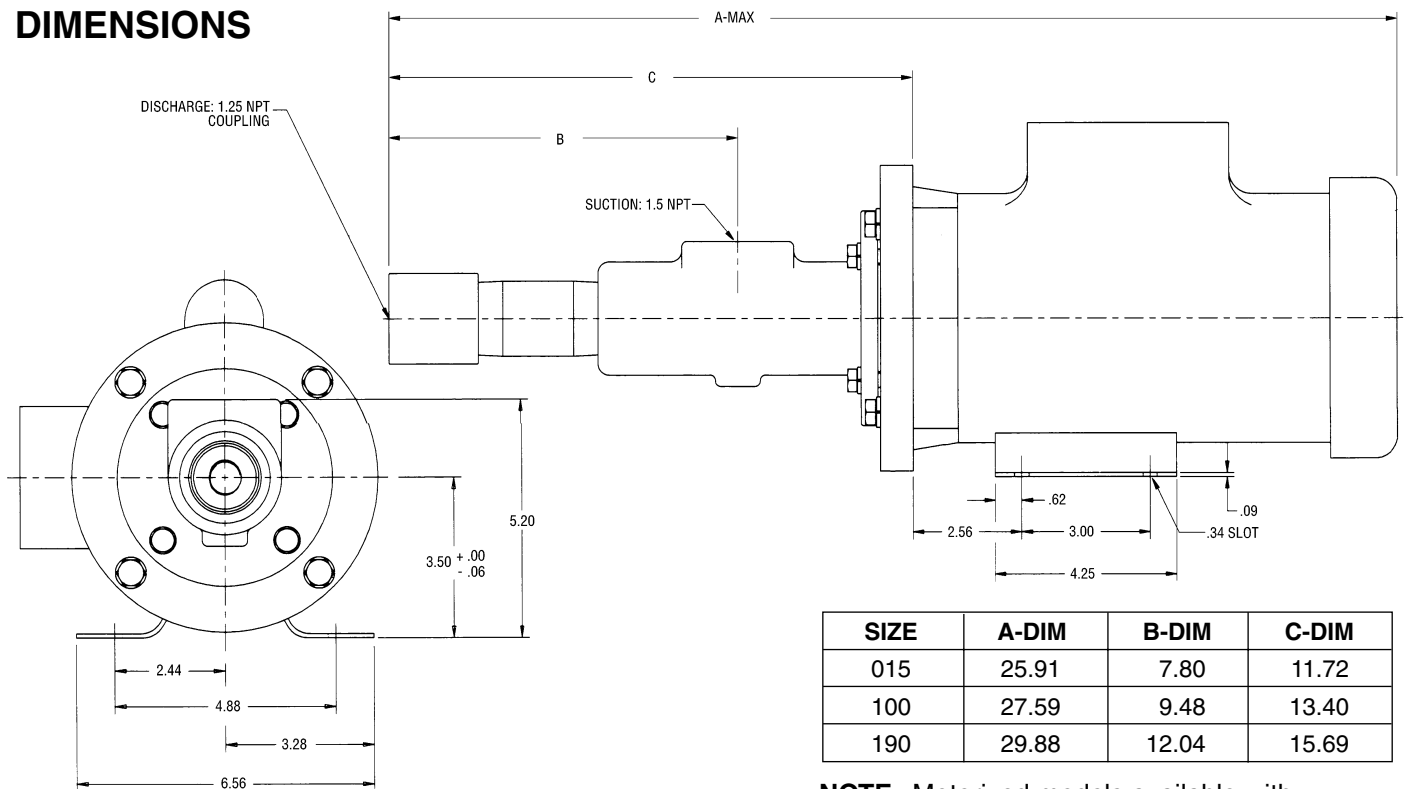
COMPONENT	CLOSE COUPLED MODELS		
	B4015B B4100B B4190B	B4015C B4100C B4190C	B4015D B4100D B4190D
Housings	316 SS/Cast Iron	316 SS/Cast Iron	316 SS/Cast Iron
Rotor	316 SS/416 SS	316 SS/416 SS	316 SS/416 SS
Stator	Nitrile, Natural EPDM, Fluoroelastomer	Nitrile, Natural EPDM, Fluoroelastomer	Nitrile, Natural EPDM, Fluoroelastomer
Drive Selection	56-C	140-TC	SEW Eurodrive R40F, 120 MM Flange, 1" SFT
Weight (lbs)	17(015), 18(100), 19(190)	17(015), 18(100), 19(190)	17(015), 18(100), 19(190)

All dimensions are in inches. Specifications subject to change without notice.

SPECIFICATION DATA
METERING/DOSING PUMP
MOTORIZED

**C4015J, C4100J, C4190K, C4015E, C4100E,
C4190F, C4015G, C4100G, AND C4190H MODELS**

DIMENSIONS



SIZE	A-DIM	B-DIM	C-DIM
015	25.91	7.80	11.72
100	27.59	9.48	13.40
190	29.88	12.04	15.69

NOTE: Motorized models available with mechanical seal only.

MATERIALS OF CONSTRUCTION

COMPONENT	MOTORIZED MODELS					
	C4015J C4100J	C4190K	C4015E C4100E	C4190F	C4015G C4100G	C4190H
Housings	316 SS/Cast Iron		316 SS/Cast Iron		316 SS/Cast Iron	
Rotor, Chrome PL	316 SS/416 SS		316 SS/416 SS		316 SS/416 SS	
Stator	Nitrile, Natural EPDM, Fluoroelastomer		Nitrile, Natural EPDM, Fluoroelastomer		Nitrile, Natural EPDM, Fluoroelastomer	
Motor Data	1/2 HP, 1 PH 115/230 VAC 60 HZ TEFC	1 HP, 1PH 115/230 VAC 60 HZ TEFC	1/2 HP, 90V DC	1 HP, 90V DC	1/2 HP, 3 PH 230/460 VAC 60 HZ TEFC	1 HP, 3 PH 230/460 VAC 60 HZ TEFC
Weight (lbs)	41(015) 43(100) 45(190)	48	41(015) 43(100) 45(190)	48	41(015) 43(100) 45(190)	48

All dimensions are in inches. Specifications subject to change without notice.

METERING/DOSING PUMP RANGE

	Description	Typical Model No.->	A	4	015	A		S	S	Q	3	S	A	A
Type	Standard Bare Shaft		A											
	Close-Coupled		B											
	Motorized		C											
Stages	4-Stage			4										
Capacity, Size	15 GPH Max.				015									
	100 GPH Max.				100									
	190 GPH Max.				190									
Drive Options	None (Bare Shaft)					A								
	56C-Face (Close-Coupled)					B								
	140TC-Face (Close-Coupled)					C								
	SEW Eurodrive (Close-Coupled)					D								
	.5 HP DC-90V (Motorized)					E								
	1.0 HP DC-90V (Motorized)					F								
	.5 HP AC 230/460-3-60 (Motorized)					G								
	1.0 HP AC 230/460-3-60 (Motorized)					H								
	.5 HP AC 115/230-1-60 (Motorized)					J								
	1.0 HP AC 115/230-1-60 (Motorized)					K								
	Nord (Close-Coupled)					L								
	Special To Order					X								
Body Materials	Cast Iron							C						
	Stainless Steel							S						
Internal Materials	416 Stainless Steel								D					
	316 Stainless Steel								S					
Stator Materials	Nitrile									Q				
	Natural									R				
	EPDM									B				
	Fluoroelastomer									F				
Mark Number	U.S. Version, 1997										3			
	Metric Version, 1997										1			
Sealing	Single Mechanical Seal, Standard												S	
	Double Mechanical Seal (Close-Cpl., Bare Shaft Only)												D	
	Packing (Close-Coupled, Bare Shaft Only)												A	
	Special To Order												X	
Internal Variations	Standard Non-Plated Shaft													A
	Special To Order													X
Rotor Variations	Standard Plated													A
	Non-Plated													B
	Special To Order													X

Hopper Available for Open Throat Applications!