

## Peerless Pump

### Horizontal Split Case Multi-Stage Pumps



**The Peerless TU or TUT pump** is a cast iron, bronze-fitted, multi stage, horizontal split case design. Type TU pumps are 2 stage design, while TUT pumps are 3, 4, and 5 stage. Engineered and manufactured, there are 35 pump sizes ranging from one and one half-inch to ten-inch discharge.

#### Applications

The TU and TUT Series pump handles water and other nonabrasive fluids. Applications vary from small, single pump commercial installations to large, multi-pump municipal water supply systems. The Peerless Pump TU and TUT Series give superior performance in Agriculture, General Industry, Building Trade, and Municipal applications.

#### Features

The multi-stage pump casing material is a minimum of class 40 cast iron. Alternate volutes are reversed, balancing **transverse pressures** on running members. The bearing bracket supports are cast integral with the lower casing half for permanent alignment of bearings and all rotating parts. Bronze, renewable casing rings are **doweled and shouldered** in the casing. Cast bronze, enclosed type, single suction impellers are carefully machined and are dynamically balanced for **vibration-free performance** and longer bearing life. Impellers are keyed to the shaft for positive driving. Bronze impeller wear rings are available on the TU and TUT type pumps.

Stuffing Boxes can accommodate several **mechanical seal types** and a variety of **API seal flush plans**. The gland bolts are swing type and made of steel with 18-8 stainless steel nuts. Stuffing boxes are designed to hold a **minimum of five rings** of packing with a lantern ring. Split glands facilitate removal for re-packing. Stuffing boxes can be **water cooled** for high temperature applications.

Replaceable bronze or optional hardened 416 stainless steel shaft sleeves protect the carbon steel or optional heat treated stainless steel shaft. The shaft sleeves extend beyond the packing glands for **maximum shaft protection** and are sealed by O-rings. Grease lubricated ball bearings are designed for an average life of 100,000 hours. (optional oil lubricated). Inboard bearings are **single row, radial ball bearings**. Outboard bearings are **duplex angular contact ball bearings**. (optional oil lubricated water cooled bearing housings can be supplied on select models).

The pump and driver are mounted on a **common steel base** (optional drip rim), coupled by a flexible coupling and furnished with a coupling guard. Pump and driver are **aligned and bolted** in place prior to factory shipment.

#### Quality Engineering

Peerless Pump designs tough, versatile products to meet your pumping needs. The TU/TUT Series delivers **variety, durability, standardized options and configurations** unequalled in the industry. Please contact your local authorized Peerless Pump sales office to find out more about the TU/TUT Series, options and prices.

---

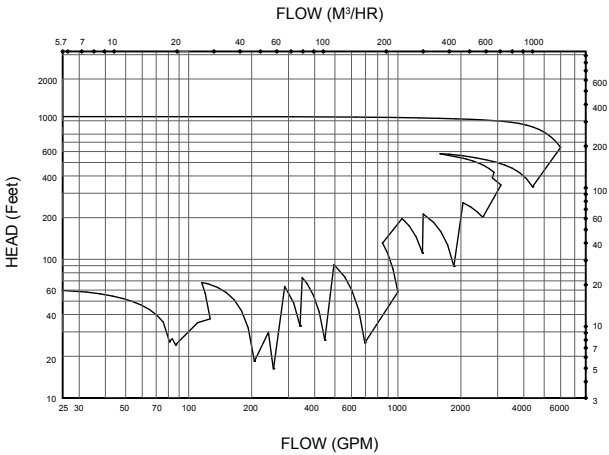
#### Specifications

**Capacities:** ..... Up to 4,500 gpm (1,023 m<sup>3</sup>/hr)  
**Head:** ..... Up to 1,600 feet (488 meters)  
**Pressure:** ..... Up to 700 psi (49.2 kg/cm<sup>2</sup>, 4,823 kPa)  
**Horsepower:** ..... Up to 800 hp (597 kW)  
**Temperature:** ..... Up to 300 °F (149 °C)  
**Drives:** ..... Motors, engines, steam turbines, combinations  
**Liquids:** ..... Water and clear liquids  
**Materials:** ..... Cast iron, bronze fitted as standard. Other materials available.

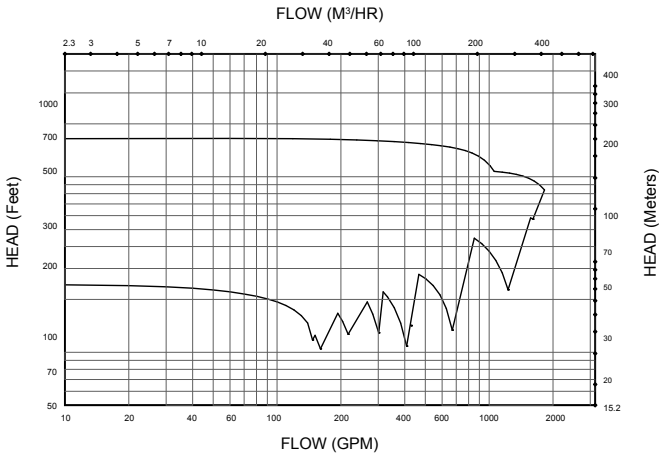
---



**TU/TUT Series Range Chart - 1750 RPM**

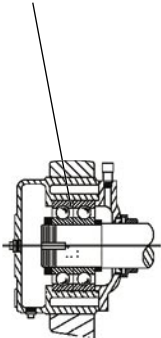


**TU/TUT Series Range Chart - 3550 RPM**



**Bearings**

Grease lubricated ball bearings are designed for an average life of 100,000 hours. (optional oil lubricated). Inboard bearings are single row, radial ball bearings. Outboard bearings are duplex angular contact ball bearings. (optional oil lubricated water cooled bearing housings can be supplied on select models.



**Impeller**

Dynamic balancing extends operation life of the pump.

**Shouldered Case Rings**

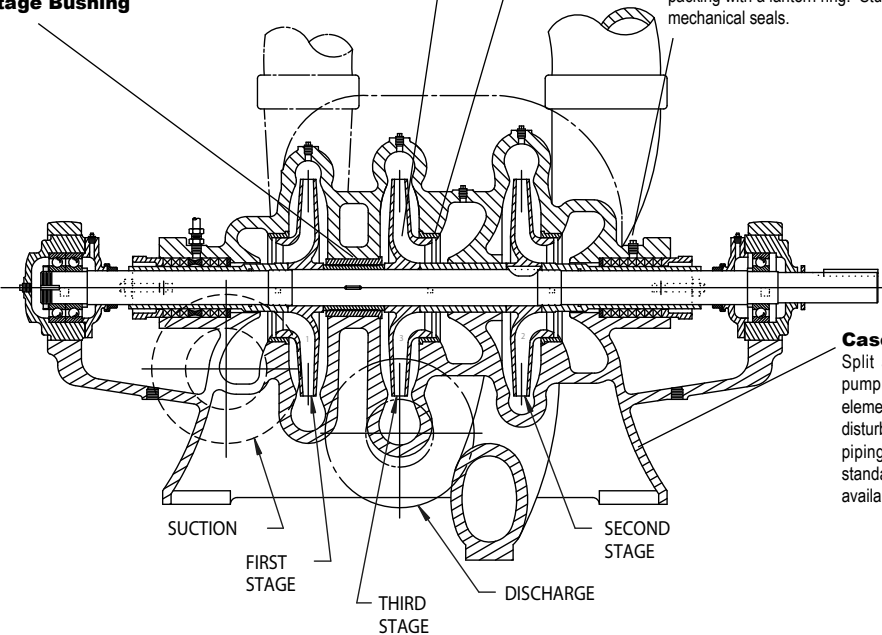
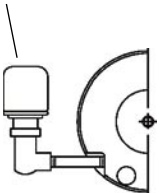
Bronze, renewable casing rings are doweled and shouldered in the casing. Other materials are available.

**Stuffing boxes**

Designed to hold a minimum of five rings of non-asbestos packing with a lantern ring. Stuffing boxes can be fitted with mechanical seals.

**Interstage Bushing**

**Oil Lubrication**  
(Optional)



**Case Assembly**

Split at the center line of the pump shaft, the entire rotating element can be removed without disturbing coupling alignment or piping connections. Cast Iron standard. Other materials also available.



**Peerless Pump Company**  
 P.O. Box 7026  
 Indianapolis, IN 46207-7026  
 (317)925-9661, Fax: (317)924-7388  
 www.peerlesspump.com

ISO 9001

