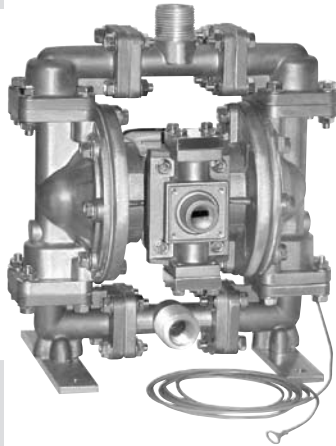


**WARREN
RUPP®**

SANDPIPER®
A WARREN RUPP PUMP BRAND



Quality System
ISO9001 Certified

Environmental
Management System
ISO14001 Certified

IDEX
FLUID & METERING

Ex II 2GD T5

CE



CSA Certified
to Requirement
2.01 U.S.



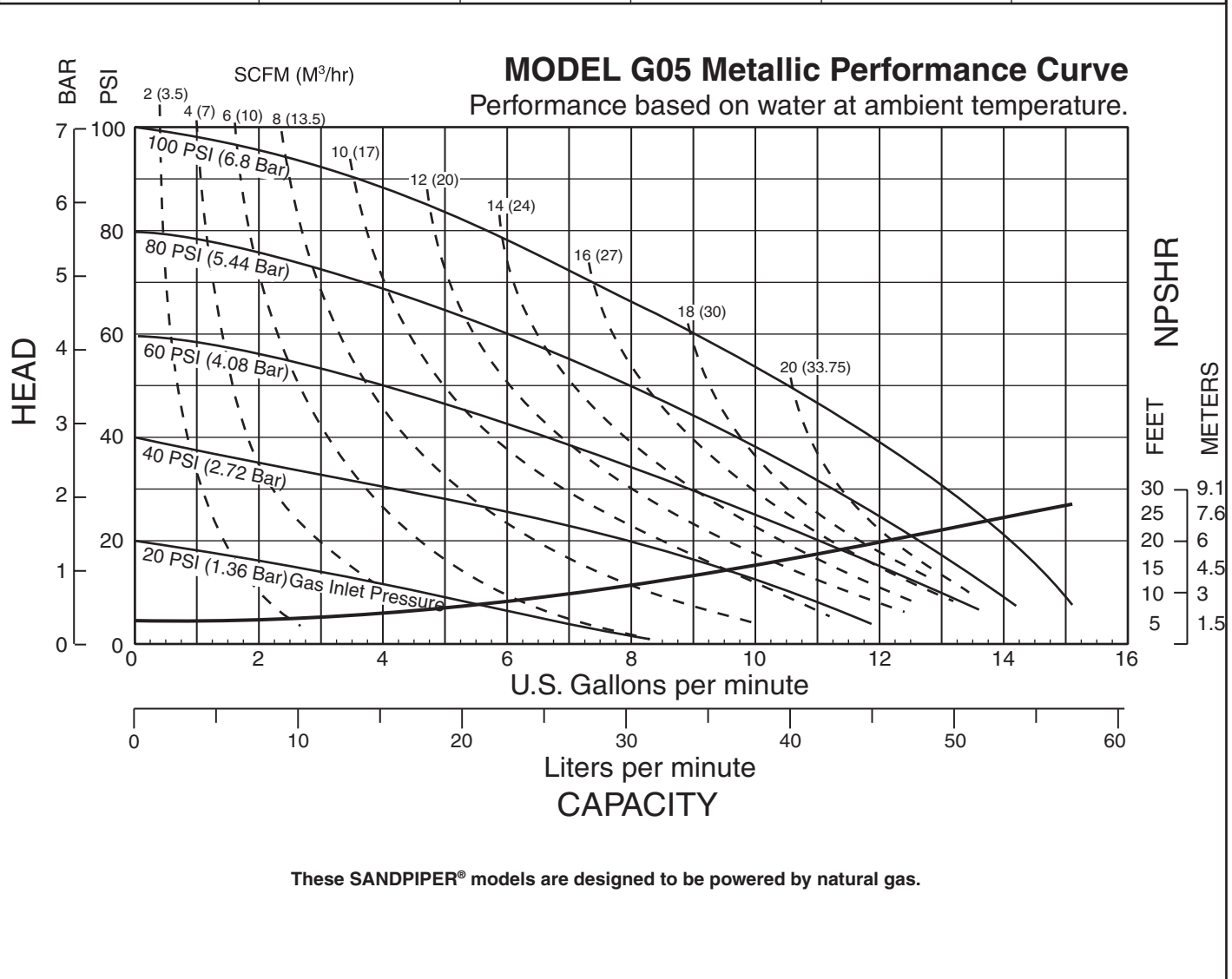
Certified to CSA
Technical Letter
No. R-14

U.S. Patent #
5,996,627; 6,241,487
Other U.S. Patents
Applied for

**G05 Metallic
Design Level 1
Ball Valve
Natural Gas Operated
Double Diaphragm Pump**

ENGINEERING, PERFORMANCE
& CONSTRUCTION DATA

| INTAKE/DISCHARGE PIPE SIZE | CAPACITY | AIR VALVE | SOLIDS-HANDLING | HEADS UP TO | DISPLACEMENT/STROKE |
|--|---|-----------------------------|----------------------|--|--------------------------|
| ½" NPT or ½" BSP Tapered (internal) ½" NPT or ½" BSP Tapered (external) | 0 to 15 gallons per minute (0 to 56 liters per minute) | No-lube, no-stall design | Up to .125 in. (3mm) | 100 psi or 230.7 ft. of water (7 Kg/cm ² or 70 meters) | .026 Gallon / .098 liter |



Explanation of Pump Nomenclature

G05 Metallic · Design Level 1 · Ball Valve

| Model | Pump Brand | Pump Size | Check Valve Type | Design Level | Wetted Material | Diaphragm/Check Valve Materials | Check Valve Seat | Non-Wetted Material Standard | Porting Options | Pump Style | Pump Options | Kit Options | Shipping Weight lbs. (kg) |
|-----------------|------------|-----------|------------------|--------------|-----------------|---------------------------------|------------------|------------------------------|-----------------|------------|--------------|-------------|---------------------------|
| G05B1ABTXNSX00. | G | 05 | B | 1 | A | B | T | X | N | S | X | 00. | 15 (7) |
| G05B1A5TXNSX00. | G | 05 | B | 1 | A | 5 | T | X | N | S | X | 00. | 15 (7) |
| G05B1ATTXNSX00. | G | 05 | B | 1 | A | T | T | X | N | S | X | 00. | 15 (7) |
| G05B1SBTXNSX00. | G | 05 | B | 1 | S | B | T | X | N | S | X | 00. | 21 (10) |
| G05B1S5TXNSX00. | G | 05 | B | 1 | S | 5 | T | X | S | S | X | 00. | 21 (10) |
| G05B1STTXNSX00. | G | 05 | B | 1 | S | T | T | X | N | S | X | 00. | 21 (10) |
| G05B1ABTXBSX00. | G | 05 | B | 1 | A | B | T | X | B | S | X | 00. | 15 (7) |
| G05B1ATTXBSX00. | G | 05 | B | 1 | A | T | T | X | B | S | X | 00. | 15 (7) |
| G05B1SBTXBSX00. | G | 05 | B | 1 | S | B | T | X | B | S | X | 00. | 21 (10) |
| G05B1STTXBSX00. | G | 05 | B | 1 | S | T | T | X | B | S | X | 00. | 21 (10) |

Pump Brand

G=Natural Gas Operated

Pump Size

05=1/2"

Check Valve Type

B=Ball

Design Level

1=Design Level

Wetted Material

A=Aluminum

S=Stainless Steel

Diaphragm/Check Ball Materials

B=Nitrile diaphragm/Nitrile Check Balls

T=PTFE overlay, Nitrile Diaphragm/PTFE Check Balls

5= Nitrile Diaphragm/PTFE Check Balls

Check Valve Seat

T=Virgin PTFE

A= Aluminum

S= Stainless Steel

Non-Wetted Material

X=Unpainted Aluminum

O=Unpainted Aluminum/FKM Elastomers

Porting Options

N=NPT Threads

B= BSP (Tapered) Threads

Pump Style

S= Standard

Pump Options

X= No Muffler Permitted*

* The exhausted natural gas must be vented to a low pressure safe location in accordance with local fire safety and environmental codes, an industry or nationally recognized code having jurisdiction over the specific installations, and/or CAN/CGA B149, Installation Codes.

These pump models are designed to pump the following fluids: Crude Oil, Salt Water, Drilling Mud, Condensate, Lubrication Oils, Glycol, Caustic liquids, and Acids.



CAUTION! Operating temperature limitations are as follows: The minimum pump operating temperature is -10°F. The maximum pump operating temperature is 180°F.

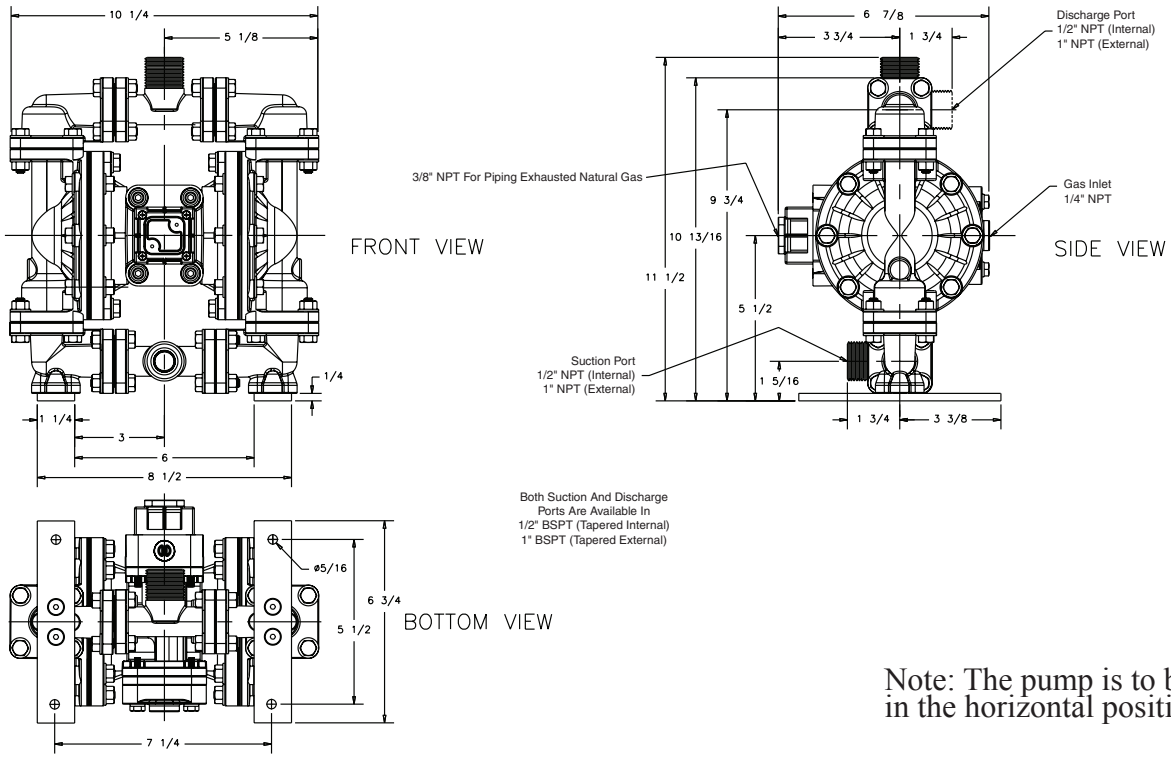
| Materials | Operating Temperatures | |
|--|------------------------|----------------|
| | Maximum | Minimum |
| Nitrile: General purpose, oil-resistant. Shows good solvent, oil, water and hydraulic fluid resistance. Should not be used with highly polar solvents like acetone and MEK, ozone, chlorinated hydrocarbons and nitro hydrocarbons. | 190°F 88°C | -10°F -23°C |
| Virgin PTFE: Chemically inert, virtually impervious. Very few chemicals are known to react chemically with PTFE: molten alkali metals, turbulent liquid or gaseous fluorine and a few fluoro-chemicals such as chlorine trifluoride or oxygen difluoride which readily liberate free fluorine at elevated temperatures. | 220°F 104°C | -35°F -37°C |
| F K M (Fluorocarbon): Excellent resistance to sour natural gas, high temperature, acids, hydrogen sulfide and oil. | 400°F 204°C | -15°F -26°C |

For specific applications, always consult "Chemical Resistance Chart" Technical Bulletin

Dimensions: G05 Metallic

Dimensions in Inches

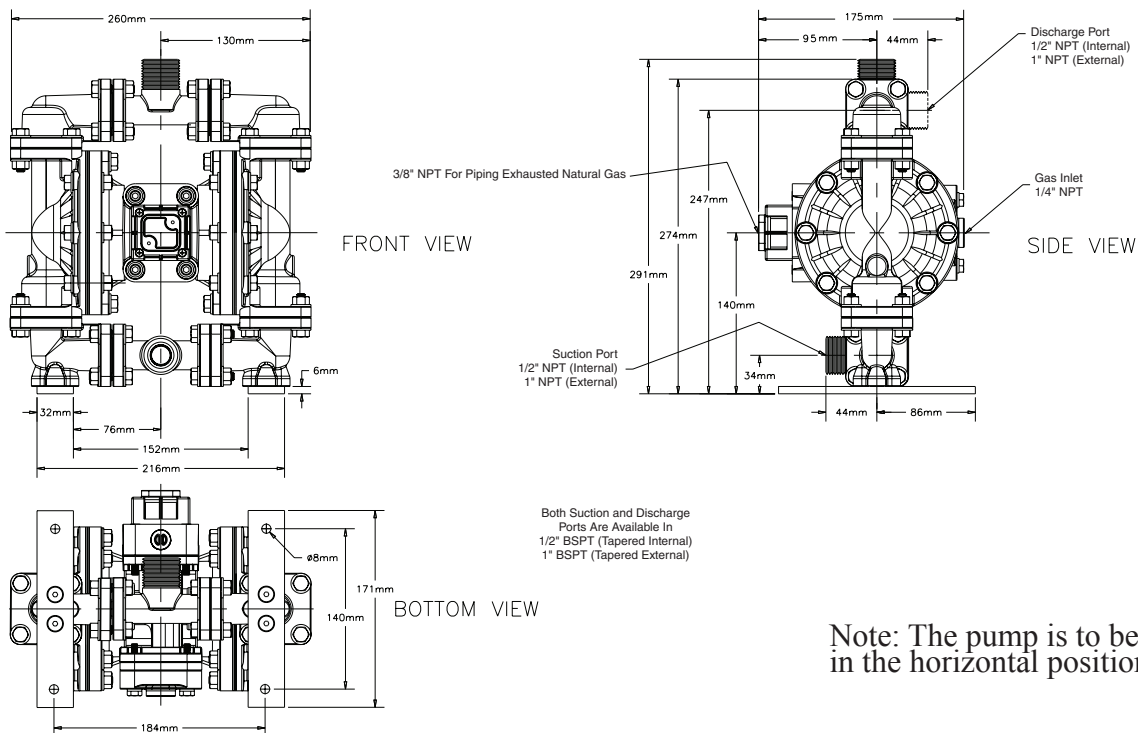
Dimensional Tolerance: $\pm 1/8$ "



Note: The pump is to be mounted in the horizontal position.

Dimensions in Millimeters

Dimensional Tolerance: ± 3 mm



Note: The pump is to be mounted in the horizontal position.