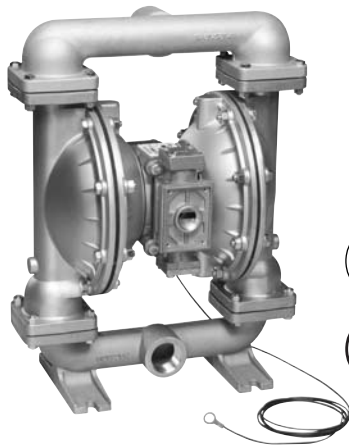


**WARREN
RUPP®**

Quality System
ISO9001 Certified

Environmental
Management System
ISO14001 Certified

IPEX
FLUID & METERING



Ex II 2GD T5

CE



CSA Certified to Requirement 2.01 U.S.



Certified to CSA Technical Letter No. R-14

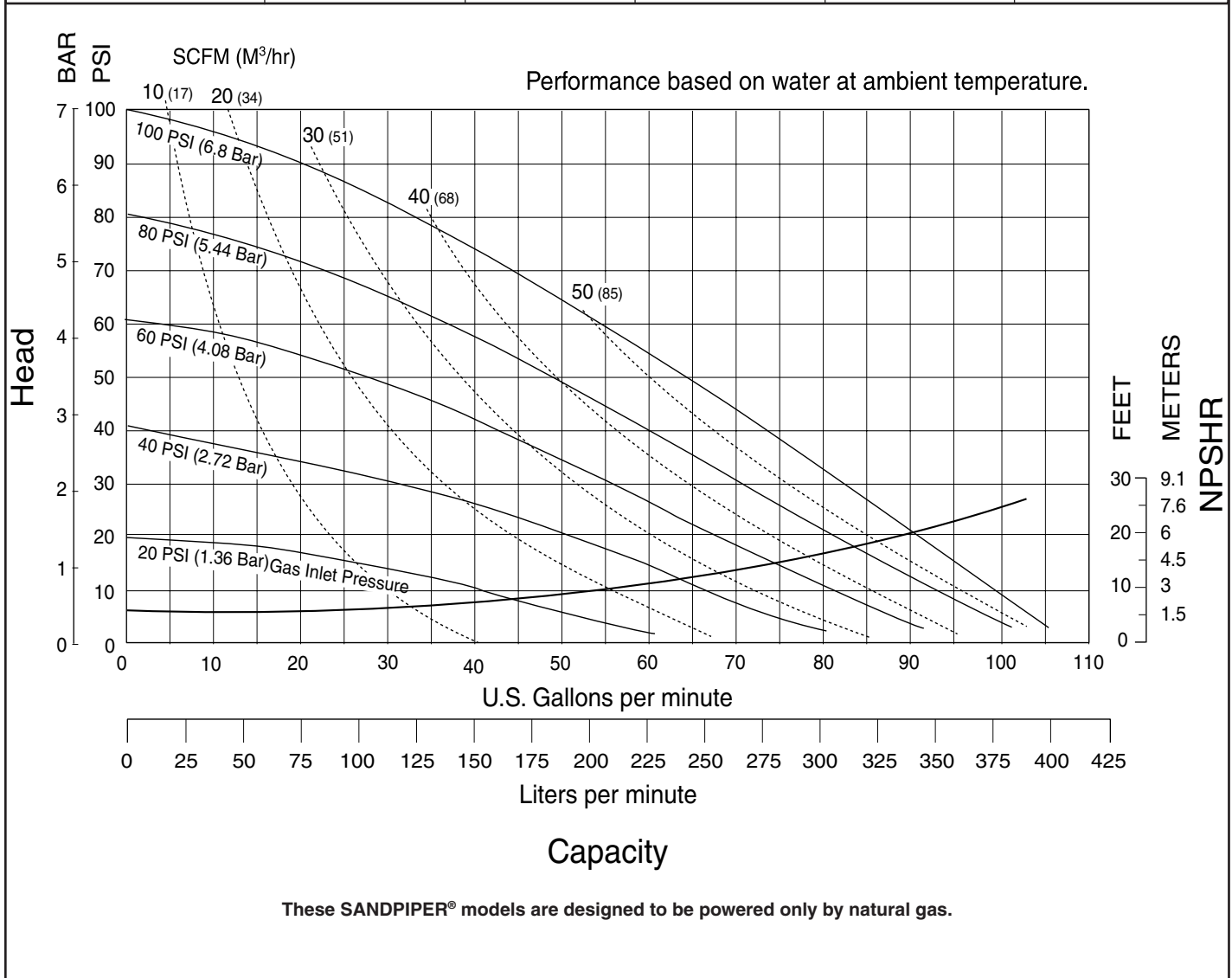
U.S. Patent #
5,996,627;
6,241,487
Other U.S. Patents
Applied for

SANDPIPER®
A WARREN RUPP PUMP BRAND

**G15 Metallic
Design Level 1
Ball Valve**
Natural Gas Operated
Double Diaphragm Pump

ENGINEERING, PERFORMANCE
& CONSTRUCTION DATA

INTAKE/DISCHARGE PIPE SIZE	CAPACITY	AIR VALVE	SOLIDS-HANDLING	HEADS UP TO	DISPLACEMENT/STROKE
1½" NPT (internal) 1½" BSP Tapered (internal)	0 to 106 gallons per minute (0 to 401 liters per minute)	No-lube, no-stall design	Up to .25 in. (6mm)	100 psi or 230.7 ft. of water (7 Kg/cm ² or 70 meters)	.41 Gallon / 1.55 liter



Explanation of Pump Nomenclature

G15 Metallic · Design Level 1 · Ball Valve

MODEL	Pump Brand	Pump Size	Check Valve Type	Design Level	Wetted Material	Diaphragm/Check Valve Materials	Check Valve Seat	Non-Wetted Material Options	Porting Options	Pump Style	Pump Options	Shipping Kit Options	Weight lbs. (kg)
G15B1SBTXNSX00.	G	15	B	1	S	B	T	X	N	S	X	00.	95 (43)
G15B1S5TXNSX00.	G	15	B	1	S	5	T	X	N	S	X	00.	95 (43)
G15B1STTXNSX00.	G	15	B	1	S	T	T	X	N	S	X	00.	95 (43)
G15B1ABTXNSX00.	G	15	B	1	A	B	T	X	N	S	X	00.	95 (43)
G15B1A5TXNSX00.	G	15	B	1	A	5	T	X	N	S	X	00.	95 (43)
G15B1ATTXNSX00.	G	15	B	1	A	T	T	X	N	S	X	00.	95 (43)
G15B1SBTXBSX00.	G	15	B	1	S	B	T	X	B	S	X	00.	95 (43)
G15B1STTXBSX00.	G	15	B	1	S	T	T	X	B	S	X	00.	95 (43)
G15B1ABTXBSX00.	G	15	B	1	A	B	T	X	B	S	X	00.	95 (43)
G15B1ATTXBSX00.	G	15	B	1	A	T	T	S	B	S	X	00.	95 (43)
G15B1SBTSNSX00.	G	15	B	1	A	T	T	S	N	S	X	00.	
G15B1STTSNSX00.	G	15	B	1	A	B	T	S	N	S	X	00.	

Pump Brand

G=Gas Operated

Pump Size

15=1½"

Check Valve Type

B=Ball

Design Level

1=Design Level

Wetted Material

S=Stainless Steel

A=Aluminum

Diaphragm Check Ball Materials

B=Nitrile/Nitrile

T=PTFE Overlay, Nitrile/PTFE

5=Nitrile/PTFE

Check Valve Seat

T=PTFE

A= Aluminum

S= Stainless Steel

Non-Wetted Material

X= Unpainted Aluminum

S= Stainless Steel

8= Stainless Steel / FKM Elastomers

0= Unpainted Aluminum / FKM Elastomers

Porting Options

N=NPT Threads

B= BSP (Tapered) Threads

Pump Style

S= Standard

Pump Options

X= No Muffler Permitted *

* The exhausted natural gas must be vented to a low pressure safe location in accordance with local fire safety and environmental codes, an industry or nationally recognized code having jurisdiction over the specific installations, and/or CAN/CGA B149, Installation Codes.

These pump models are designed to pump the following fluids: Crude Oil, Salt Water, Drilling Mud, Condensate, Lubrication Oils, Glycol, Caustic liquids, and Acids.

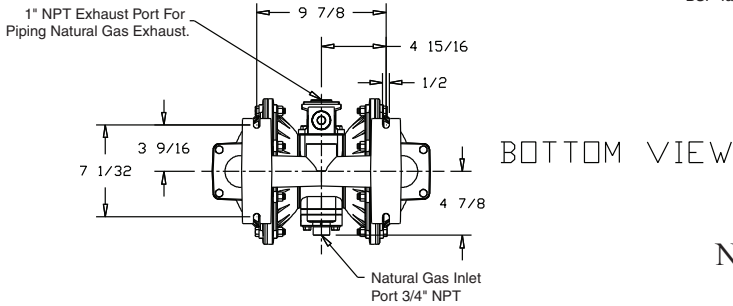
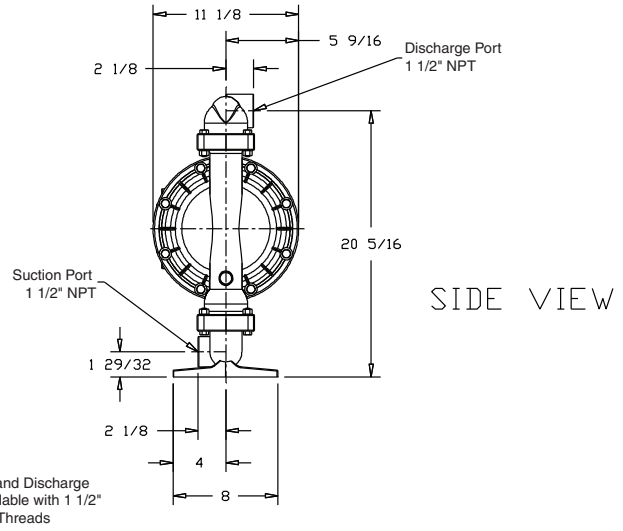
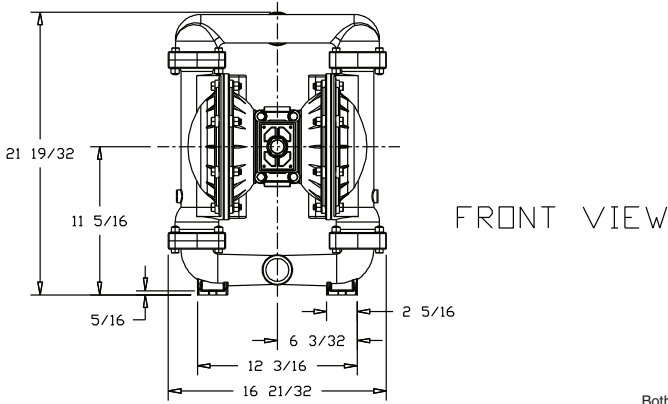
CAUTION! *Operating temperature limitations are as follows:* The minimum pump operating temperature is -10 °F. The maximum pump operating temperature 180° F

Materials	Operating Temperatures	
	Maximum	Minimum
Nitrile: General purpose, oil-resistant. Shows good solvent, oil, water and hydraulic fluid resistance. Should not be used with highly polar solvents like acetone and MEK, ozone, chlorinated hydrocarbons and nitro hydrocarbons.	190°F 88°C	-10°F -23°C
Virgin PTFE: Chemically inert, virtually impervious. Very few chemicals are known to react chemically with PTFE: molten alkali metals, turbulent liquid or gaseous fluorine and a few fluoro-chemicals such as chlorine trifluoride or oxygen difluoride which readily liberate free fluorine at elevated temperatures.	220°F 104°C	-35°F -37°C
F K M (fluorocarbon): Excellent resistance to sour natural gas, high temperature, acids, hydrogen sulfide and oil	400°F 204°C	-15°F -26°C

For specific applications, always consult "Chemical Resistance Chart" Technical Bulletin

Dimensions: G15 Metallic

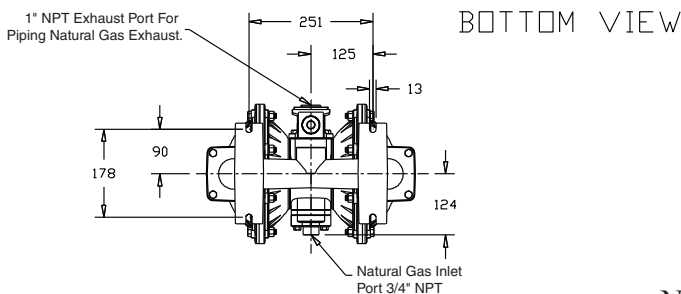
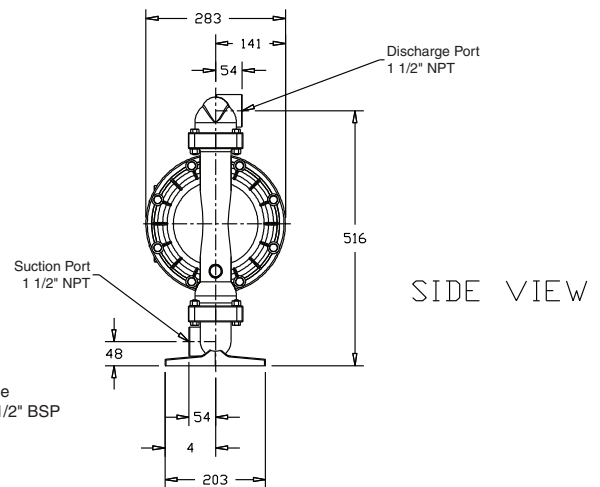
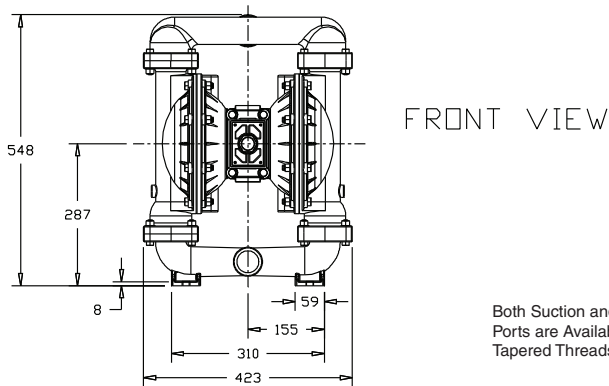
Dimensions in Inches
Dimensional Tolerance: $\pm 1/8$ "



Dimension	A	B	C	D	E
Aluminum	20 5/16	1 29/32	5/16	11 5/16	21 19/32
Stainless Steel	20 3/8	1 31/32	3/8	11 3/8	21 21/32

Note: The pump is to be mounted in the horizontal position.

Dimensions in Millimeters
Dimensional Tolerance: ± 3 mm



Dimension	A	B	C	D	E
Aluminum	516mm	48mm	8mm	287mm	548mm
Stainless Steel	518mm	50mm	10mm	289mm	550mm

Note: The pump is to be mounted in the horizontal position.