

**WARREN  
RUPP®**

**SANDPIPER®**  
A WARREN RUPP PUMP BRAND



Quality System  
ISO9001 Certified

Environmental  
Management System  
ISO14001 Certified

**IDEX**  
FLUID & METERING

**Ex** II 2GD T5

CE



CSA Certified  
to Requirement  
2.01 U.S.



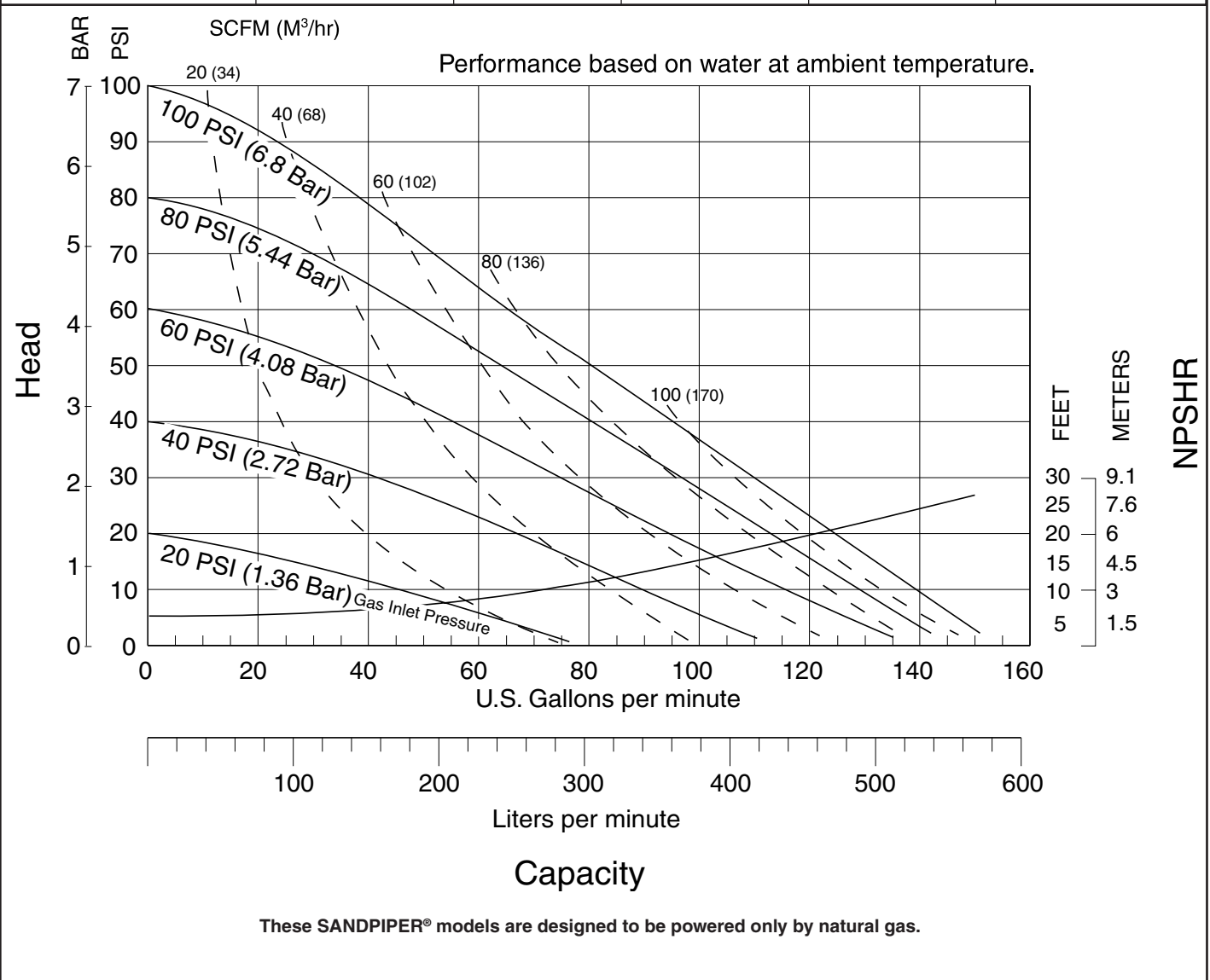
Certified to  
CSA Technical  
Letter No. R-14

U.S. Patent #  
5,996,627; 6,241,487  
Other U.S. Patents  
Applied for

**G20 Metallic  
Design Level 1  
Ball Valve  
Natural Gas Operated  
Double Diaphragm Pump**

ENGINEERING, PERFORMANCE  
& CONSTRUCTION DATA

INTAKE/DISCHARGE PIPE SIZE	CAPACITY	AIR VALVE	SOLIDS-HANDLING	HEADS UP TO	DISPLACEMENT/STROKE
2" NPT (internal) 2" BSP Tapered (internal)	0 to 150 gallons per minute (0 to 567 liters per minute)	No-lube, no-stall design	Up to .25 in. (6mm)	100 psi or 230.7 ft. of water (7 Kg/cm <sup>2</sup> or 70 meters)	.42 Gallon / 1.59 liter



# Explanation of Pump Nomenclature

## G20 Metallic · Design Level 1 · Ball Valve

MODEL	Pump Brand	Pump Size	Check Valve Type	Design Level	Wetted Material	Diaphragm/Check Valve Materials	Check Valve Seat	Non-Wetted Material Options	Porting Options	Pump Style	Pump Options	Shipping Kit Options	Weight lbs. (kg)
G20B1ABBXNSX00.	G	20	B	1	A	B	B	X	N	S	X	00.	69 (31)
G20B1A5TXNSX00.	G	20	B	1	A	5	T	X	N	S	X	00.	69 (31)
G20B1ATTXNSX00.	G	20	B	1	A	T	T	X	N	S	X	00.	69 (31)
G20B1SBBXNSX00.	G	20	B	1	S	B	B	X	N	S	X	00.	114 (52)
G20B1S5TXNSX00.	G	20	B	1	S	5	T	X	N	S	X	00.	114 (52)
G20B1STTXNSX00.	G	20	B	1	S	T	T	X	N	S	X	00.	114 (52)
G20B1ABBXBSX00.	G	20	B	1	A	B	B	X	B	S	X	00.	114 (52)
G20B1ATTXBSX00.	G	20	B	1	A	T	T	X	B	S	X	00.	114 (52)
G20B1SBBXBSX00.	G	20	B	1	S	B	B	X	B	S	X	00.	114 (52)
G20B1STTXBSX00.	G	20	B	1	S	T	T	X	B	S	X	00.	114 (52)

### Pump Brand

G=Gas Operated

### Pump Size

20=2"

### Check Valve Type

B=Ball

### Design Level

1=Design Level

### Wetted Material

S=Stainless Steel

A=Aluminum

### Diaphragm Check Ball Materials

B=Nitrile/Nitrile

T=PTFE Overlay- Nitrile/PTFE

5=Nitrile/PTFE

### Check Valve Seat

T=PTFE

B=Nitrile

A=Aluminum

S=Stainless Steel

### Non-Wetted Material

X=Unpainted Aluminum

S=Stainless Steel

O=Unpainted Aluminum /FKM Elastomers

8= Stainless Steel / FKM Elastomers

### Porting Options

N=NPT Threads

B= BSP (Tapered) Threads

### Pump Style

S= Standard

### Pump Options

X= No Muffler Permitted \*

\* The exhausted natural gas must be vented to a low pressure safe location in accordance with local fire safety and environmental codes, an industry or nationally recognized code having jurisdiction over the specific installations, and/or CAN/CGA B149, Installation Codes.

These pump models are designed to pump the following fluids: Crude Oil, Salt Water, Drilling Mud, Condensate, Lubrication Oils, Glycol, Caustic liquids, and Acids.

**CAUTION!** *Operating temperature limitations are as follows:* The minimum pump operating temperature is -10°F . The maximum pump operating temperature is 180°F.

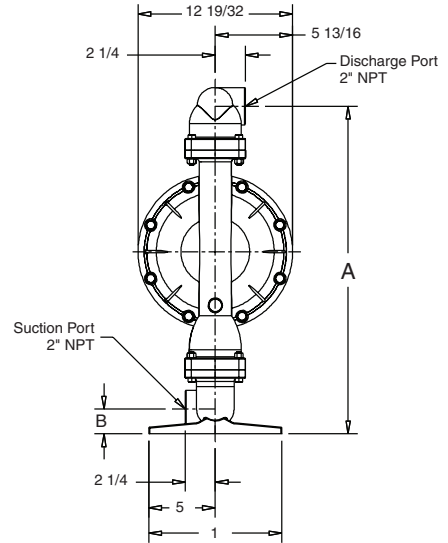
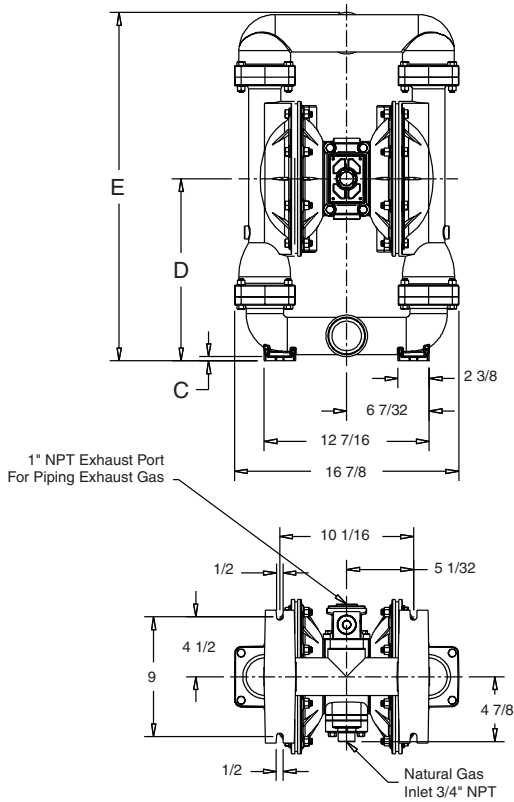
Materials	Operating Temperatures	
	Maximum	Minimum
<b>Nitrile:</b> General purpose, oil-resistant. Shows good solvent, oil, water and hydraulic fluid resistance. Should not be used with highly polar solvents like acetone and MEK, ozone, chlorinated hydrocarbons and nitro hydrocarbons.	190°F 88°C	-10°F -23°C
<b>Virgin PTFE:</b> Chemically inert, virtually impervious. Very few chemicals are known to react chemically with PTFE: molten alkali metals, turbulent liquid or gaseous fluorine and a few fluoro-chemicals such as chlorine trifluoride or oxygen difluoride which readily liberate free fluorine at elevated temperatures.	220°F 104°C	-35°F -37°C
<b>F K M (Fluorocarbon):</b> Excellent resistance to sour natural gas, high temperature, acids, hydrogen sulfide and oil.	400°F 204°C	-15°F -26°C

For specific applications, always consult "Chemical Resistance Chart" Technical Bulletin

# Dimensions: G20 Metallic

Dimensions in Inches

Dimensional Tolerance:  $\pm 1/8$ "



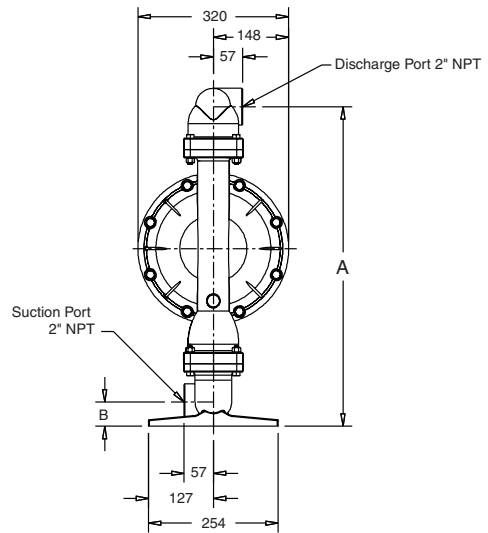
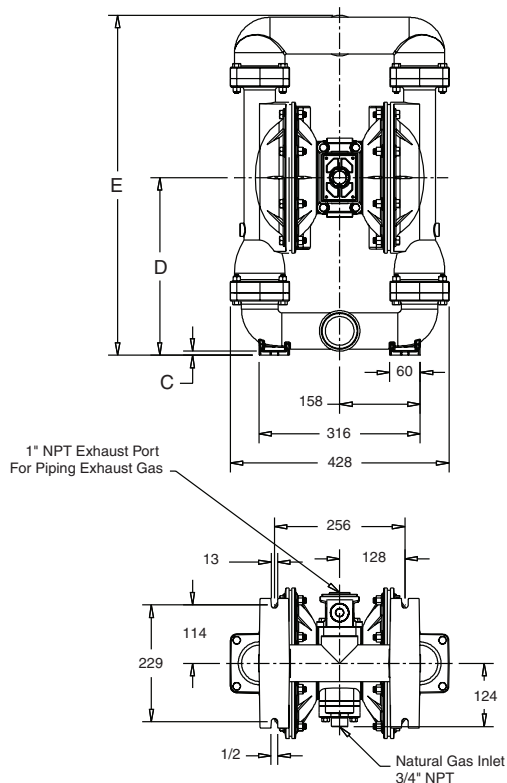
Both Suction and Discharge Ports are Available With 2" BSPT Tapered Threads

Note: The pump is to be mounted in the horizontal position.

Dimension	A	B	C	D	E
Aluminum	24 5/8	1 7/8	5/16	13 11/16	26 3/16
Stainless Steel	24 3/4	2	7/16	13 13/16	26 5/16

# Dimensions in Millimeters

Dimensional Tolerance:  $\pm 3$ mm



Both Suction and Discharge Ports are Available With 2" BSPT Tapered Threads

Note: The pump is to be mounted in the horizontal position.

Dimension	A	B	C	D	E
Aluminum	625mm	47mm	8mm	348mm	665mm
Stainless Steel	629mm	51mm	12mm	351mm	669mm