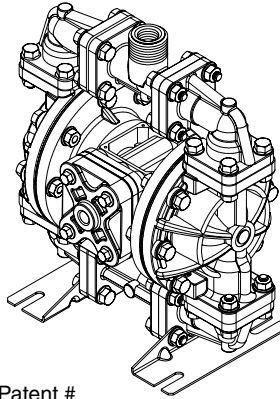
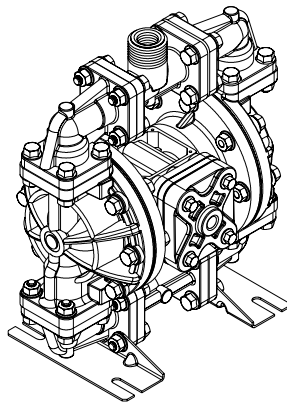


**WARREN  
RUPP®**

Quality System  
ISO9001 Certified

Environmental  
Management System  
ISO14001 Certified

**IDEX**  
FLUID & METERING



**Ex** II 2GD T5

U.S. Patent #  
5,996,627; 6,241,487  
Other U.S. Patents  
Applied for

CE

**SANDPIPER®**

A WARREN RUPP PUMP BRAND

**S05 Conductive Acetal  
Design Level 2  
Ball Valve**

**Air Operated  
Double-Diaphragm Pump**

ENGINEERING, PERFORMANCE  
& CONSTRUCTION DATA

<b>INTAKE/DISCHARGE PIPE SIZE</b> 1/2" NPT (Internal) or 1/2" BSPT (Tapered) 1" NPT (External) or 1" BSPT (Tapered)	<b>CAPACITY</b> 0 to 14 gallons per minute (0 to 52 liters per minute)	<b>AIR VALVE</b> No-lube, no-stall design	<b>SOLIDS-HANDLING</b> Up to .125 in. (3mm)	<b>HEADS UP TO</b> 100 psi or 231 ft. of water (7 Kg/cm <sup>2</sup> or 70 meters)	<b>DISPLACEMENT/STROKE</b> .026 Gallon / .098 liter
<b>⚠ CAUTION! Operating temperature limitations are as follows:</b>					
<b>MATERIALS</b>		<b>Operating Temperatures</b>			
		<b>Maximum*</b>		<b>Minimum*</b>	
<b>Nitrile:</b> General purpose, oil-resistant. Shows good solvent, oil, water and hydraulic fluid resistance. Should not be used with highly polar solvents like acetone and MEK, ozone, chlorinated hydrocarbons and nitro hydrocarbons.		190° F 88° C		-10° F -23° C	
<b>Conductive Acetal:</b>		190° F 88° C		-20° F -29° C	
<b>Virgin PTFE:</b> Chemically inert, virtually impervious. Very few chemicals are known to react chemically with PTFE- molten alkali metals, turbulent liquid or gaseous fluorine and a few fluoro-chemicals such as chlorine trifluoride or oxygen difluoride which readily liberate free fluorine at elevated temperatures.		220° F 104° C		-35° F -37° C	
<b>UHMW PE:</b> High tensile material with excellent abrasion resistance. A general purpose material with excellent resistance to most oils.		180° F 82° C		-35° F -37° C	
<b>Santoprene®:</b> Injection molded thermoplastic elastomer with no fabric layer. Long mechanical flex life. Excellent abrasion resistance.		275° F 135° C		-40° F -40° C	

For specific applications, always consult the Warren Rupp "Chemical Resistance Chart"

**SANDPIPER® pumps are designed to be powered only by compressed air.**

# Explanation of Pump Nomenclature

## S05 Conductive Acetal · Design Level 2· Ball Valve

Model	Pump Brand	Pump Size	Check Valve Type	Design Level	Wetted Material	Diaphragm/Check Valve Materials	Check Valve Seat	Non-Wetted Material Options	Porting Options	Pump Style	Pump Options	Kit Options	Shipping Weight lbs. (kg)
S05B2G1TXNS000.	S	05	B	2	G	1	T	X	N	S	0	00.	17 (8)
S05B2G2TXNS000.	S	05	B	2	G	2	T	X	N	S	0	00.	17 (8)
S05B2GUTXNS000.	S	05	B	2	G	U	T	X	N	S	0	00.	17 (8)
S05B2G1TXBS000.	S	05	B	2	G	1	T	X	B	S	0	00.	17 (8)
S05B2G2TXBS000.	S	05	B	2	G	2	T	X	B	S	0	00.	17 (8)
S05B2GUTXBS000.	S	05	B	2	G	U	T	X	B	S	0	00.	17 (8)

**Pump Brand**

S= SANDPIPER®

**Design Level**

2=Design Level

**Check Valve Seat**

T= Virgin PTFE

**Pump Style**

S=Standard

**Pump Size**

05=1/2"

**Wetted Material**

G=Conductive Acetal

**Non-Wetted Material Options**

X= Non-painted Aluminum

**Pump Options**

0= None

6= Metal Muffler

**Check Valve Type**

B= Soild Ball

**Diaphragm/Check Valve Materials**

1= Santoprene/Santoprene

2= Virgin PTFE-Santoprene

Backup/Virgin PTFE

B=Nitrile/Nitrile

U=Polyurethane/Polyurethane

**Porting Options**

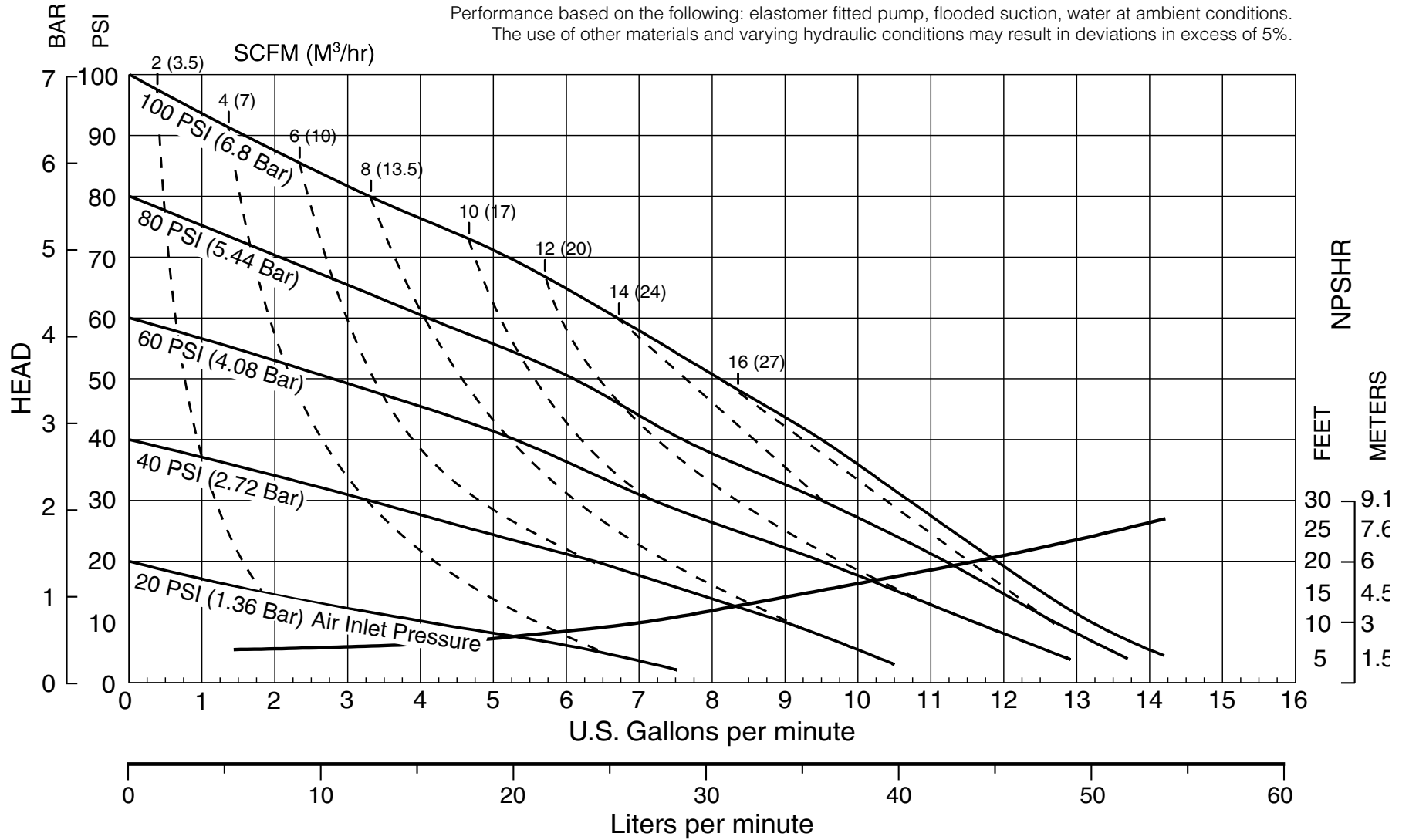
N= NPT Threads

B= BSPT (Tapered) Threads

# Performance Curve, S05 Conductive Acetal Design Level 2

## MODEL S05 Conductive Acetal Performance Curve

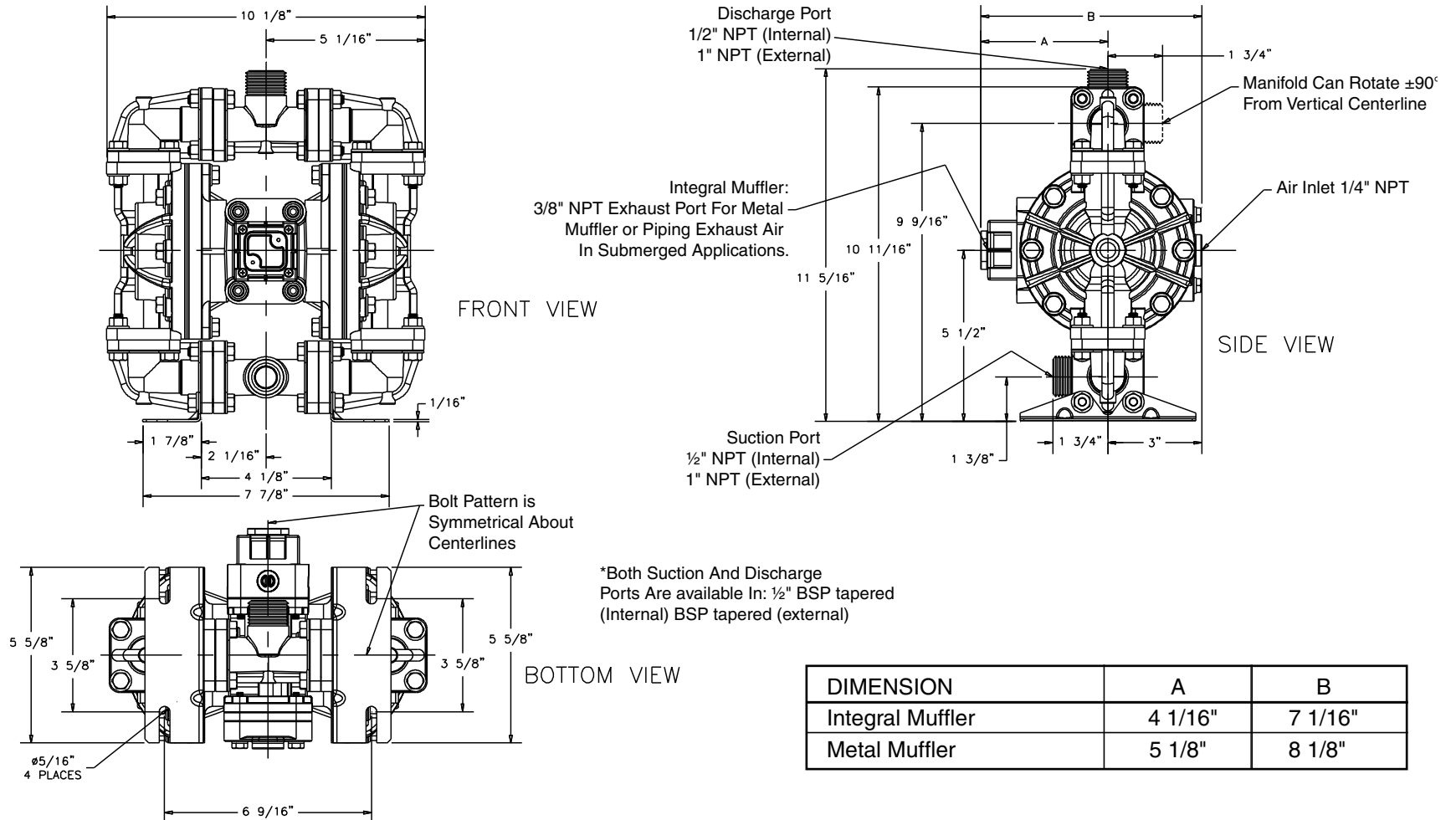
Performance based on the following: elastomer fitted pump, flooded suction, water at ambient conditions.  
The use of other materials and varying hydraulic conditions may result in deviations in excess of 5%.



# Dimensions: S05 Conductive Acetal

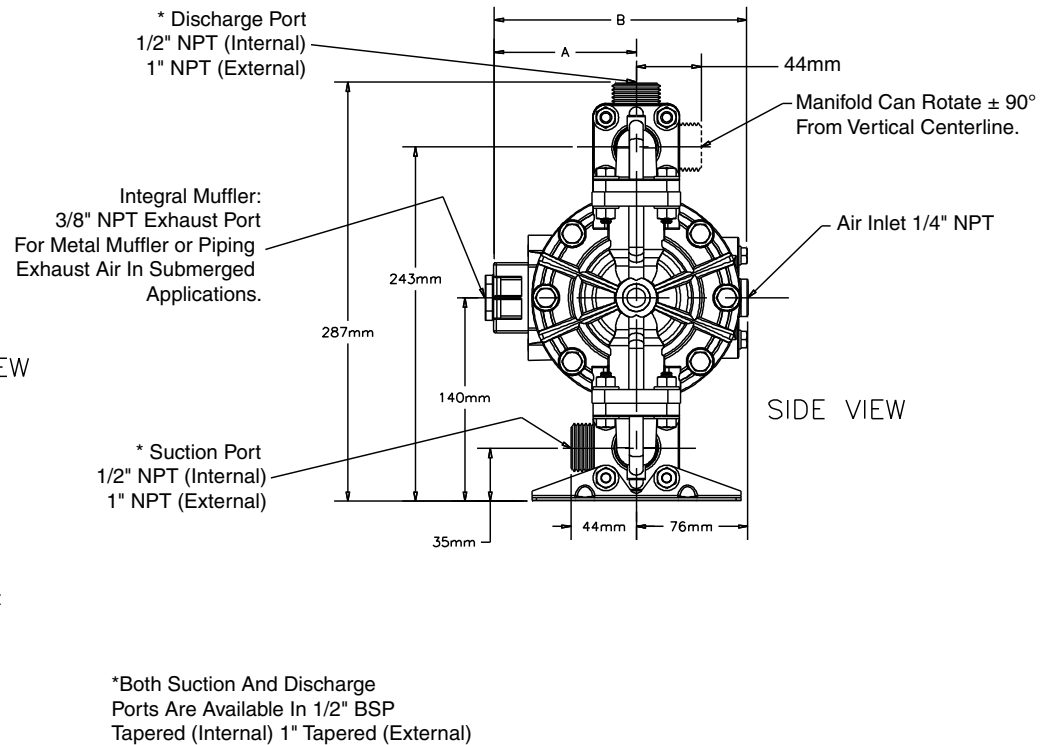
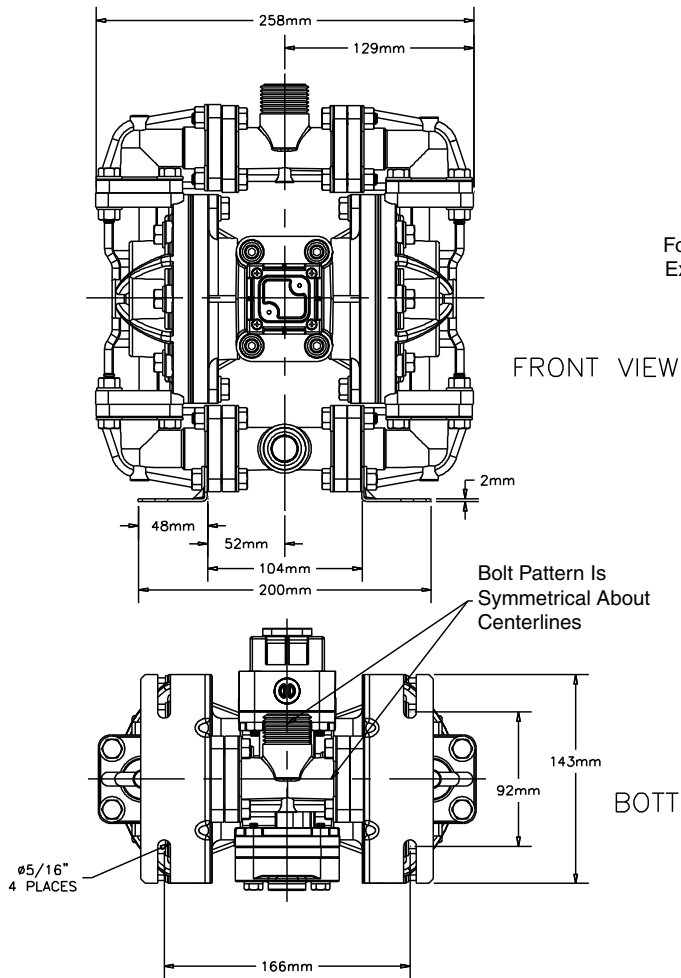
Dimensions in Inches

Dimensional tolerance:  $\pm 1/8$ "



# Metric Dimensions: S05 Conductive Acetal

Dimensions in millimeters  
Dimensional tolerance:  $\pm 3\text{mm}$



DIMENSION	A	B
Integral Muffler	103mm	179mm
Metal Muffler	130mm	206mm