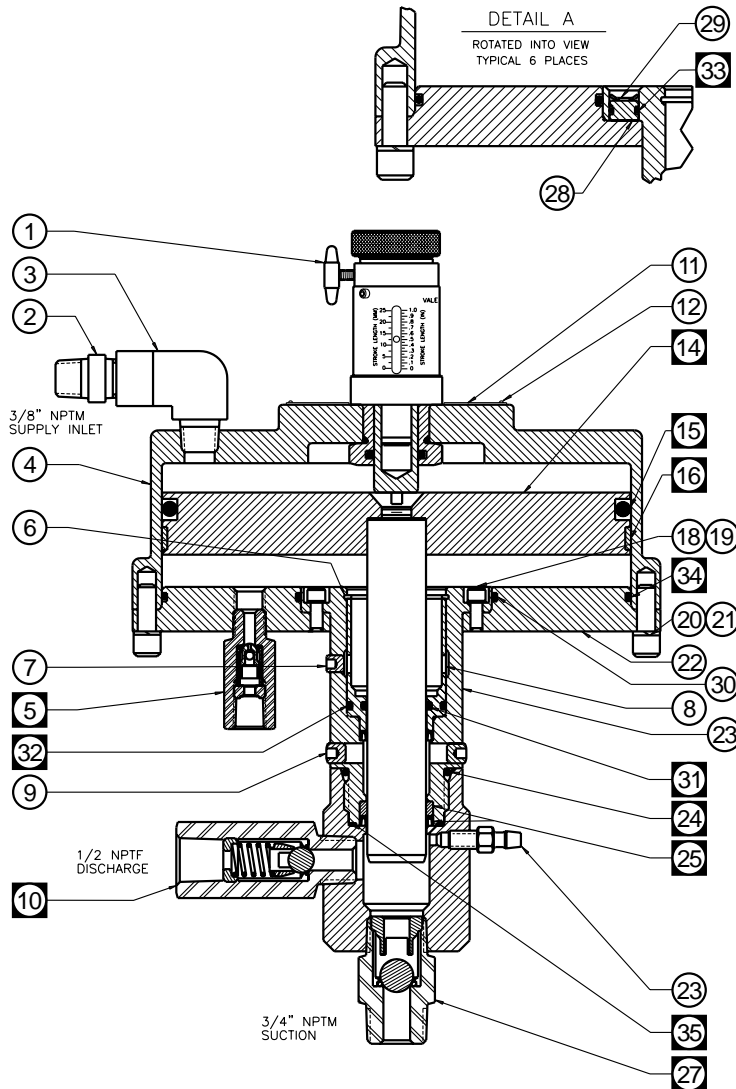


# P1000V800 SERIES PUMP PARTS LIST



ITEM	DESCRIPTION	NO. REQ.D	P1000V800
1	<b>Stroke Adjuster Assembly</b>	1	<b>SA202391</b>
2	Hex Nipple - 3/8 NPT	1	HN38316
3	Street Elbow - 3/8 NPT	1	SS-6-SE
4	Motor Cylinder	1	MC402233
5	<b>Vent Check Valve Assembly</b>	1	<b>CV201976</b>
5a	Check Valve Body - 316 SS	1	CV202266
5b	Sleeve	1	CV202268
5c	Retainer Sleeve	1	CV202269
5d	Poppet-Vent Check Valve	1	CV101975
5e	O-Ring - Teflon	1	T-009
6	Retainer - Spring Seat	1	MC102359
7	Vent Plug - 1/16 NPT	1	HHP116CS
8	Spring Seat	1	MC202229
9	Plug - 1/8 NPT	2	OS601
10	<b>Assy - Discharge Check Valve - CV8</b>	1	<b>CV202288</b>
10a	Check Valve Body - 316 SS	1	CV202290
10b	Ball Seat - 316 SS	1	CV202291
10c	Spring	1	CV102046
10d	Sleeve	1	CV202292
10e	Ball - 7/16" - 316 SS	1	CV102313
10f	Retainer Sleeve	1	CV202293
10g	O-Ring - Teflon	1	T-012
11	Data Plate	1	DP202305
12	Drive Screw - Data Plate	1	S2316D
13	N/A	N/A	N/A
14	<b>Assy - Piston Plunger (See Note 1)</b>	1	<b>PP302262-<sup>(1)</sup></b>
15	U-Cup - Piston - Buna N	1	BR-443
16	Guide Ring - Piston	1	MC102261
17	N/A	N/A	N/A
18	Screw - 10-32 x 1/2 SS SHCS	6	A103212SHCS
19	Washer - #10 Split Lock	6	W10L
20	Screw - 5/16-18 x 1" SHCS	10	MC600-06
21	Washer - 5/16 Split Lock	10	W516L
22	Face Plate	1	MC302234
23	<b>Assy - Pump Body &amp; Fluid Cylinder</b>	1	<b>PP302086</b>
24	O-Ring - Body Seal	1	BR-223-90
25	<b>Plunger Seal Set (See Note 2)</b>	1	<b>SS1000V-<sup>(2)</sup></b>
26	Bleeder Plug w/Hose Barb	1	BV202139
27	<b>Assy - Check Valve - Inlet</b>	1	<b>CV202298</b>
27a	Check Valve Body - 316 SS	1	CV202299
27b	Sleeve	1	CV202300
27c	Retainer Sleeve	1	CV202303
27d	Ball - 9/16" - 316 SS	1	CV102314
27e	O-Ring - Teflon	1	T-112
28	Plug - Faceplate	1	MC102230
29	Retainer - Plug Filter - Pump Body	1	MC102150
30	O-Ring - Faceplate - Inner	1	BR-152
31	O-Ring - Spring Seat	1	BR-120
32	O-Ring - Spring Seat	1	BR-128
33	O-Ring - Plug	1	BR-010
34	O-Ring - Faceplate - Outer	1	BR-170
35	Sealing Ring - Teflon	1	OR102387
N/A	<b>Repair Kit</b>	N/A	<b>RK1000V800-<sup>(1)</sup>-<sup>(2)</sup></b>
N/A	<b>Seal Kit</b>	N/A	<b>SK1000V800-<sup>(2)</sup></b>

**Note 1: PLUNGER (Item #14)** Designate the proper plunger material by adding a dash number to the base part number: for 17-4 pH (01), for 316 SS (02), and for Ceramic (04).

**Note 2: PLUNGER SEAL SETS (Item #25)** Seals must be compatible with the chemical used. Designate the proper seal by adding a dash number to the base part number: for Polyethylene (PE), Teflon Graphite (TG), Teflon Composite (TC), Viton (V), Buna N (BR), Ethylene Polypropylene (EPR), or Kalrez (K). Please specify when placing order.

**REPAIR KITS:** The items identified with the symbol are contained in a complete pump repair kit. Controller and relay repair kits must be ordered separately.



# WILLIAMS

## P1000V SERIES PUMP REPAIR KITS

### REPAIR KIT NO. - RK1000V400 \_\_ (1)- \_\_ (2)

PART NUMBER	DESCRIPTION	QUANTITY
BR-223-90	BODY SEAL O-RING	1
CV202288	DISCHARGE CHECK VALVE	1
CV202298	SUCTION CHECK VALVE	1
MC102174	PISTON GUIDE RING	1
MC102245	MOTOR RETURN SPRING	1
MC400-02BR	PISTON U-CUP/BUNA N	1
PP202249-01 <sup>(1)</sup>	PISTON/PLUNGER ASSEMBLY	1
SS1000V-PE <sup>(2)</sup>	PLUNGER SEAL SET	1

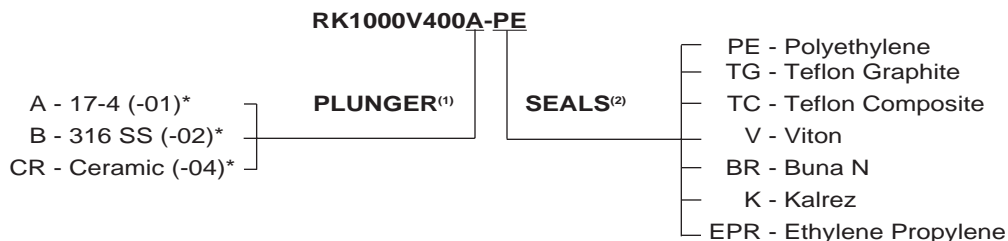
### REPAIR KIT NO. - RK1000V600 \_\_ (1)- \_\_ (2)

PART NUMBER	DESCRIPTION	QUANTITY
BR-223-90	BODY SEAL O-RING	1
CV202288	DISCHARGE CHECK VALVE	1
CV202298	SUCTION CHECK VALVE	1
MC102245	MOTOR RETURN SPRING	1
MC102260	PISTON GUIDE RING	1
MC600-02BR	PISTON U-CUP/BUNA N	1
PP202259-__ <sup>(1)*</sup>	PISTON/PLUNGER ASSEMBLY	1
SS1000V-__ <sup>(2)</sup>	PLUNGER SEAL SET	1

### REPAIR KIT NO. - RK1000V800 \_\_ (1)- \_\_ (2)

PART NUMBER	DESCRIPTION	QUANTITY
BR-170	O-RING-BUNA N/FACEPLATE	1
BR-223-90	BODY SEAL O-RING	1
BR-443	O-RING-BUNA N	1
CV202288	DISCHARGE CHECK VALVE	1
CV202298	SUCTION CHECK VALVE	1
MC102261	PISTON GUIDE RING	1
PP302262-01 <sup>(1)</sup>	PISTON/PLUNGER ASSEMBLY	1
SS1000V-PE <sup>(2)</sup>	PLUNGER SEAL SET	1
OR102387	SEALING RING-TEFLON	1
BR-120	O-RING-BUNA N/SPRING SEAT-INNER	1
BR-128	O-RING-BUNA N/SPRING SEAT-OUTER	1

**(1) & (2):** To order the proper plunger and seal materials, please indicate the appropriate letter as shown in the example below. The letters following the dash for the piston plunger assembly (PP202249) and plunger seal set (SS1000V) will correspond to the material chosen in the repair kit number.



RK-P1000V • Revised 12-99



# WILLIAMS

## P1000V SERIES SEAL REPAIR KITS

### SEAL KIT NO. - SK1000V400-\_\_ (1)

PART NUMBER	DESCRIPTION	QUANTITY
BR-022	O-RING/BUNA N	1
BR-116	O-RING/BUNA N	1
BR-223-90	BODY SEAL O-RING	1
MC102174	PISTON GUIDE RING	1
MC400-02BR	PISTON U-CUP-BUNA N	1
SS1000V_ (2)	PLUNGER SEAL SET	1
T-112	O-RING/TEFLON	1
T-012	O-RING/TEFLON	1

### SEAL KIT NO. - SK1000V600-\_\_ (1)

PART NUMBER	DESCRIPTION	QUANTITY
BR-022	O-RING/BUNA N	1
BR-116	O-RING/BUNA N	1
BR-223-90	BODY SEAL O-RING	1
MC102260	PISTON GUIDE RING	1
MC600-02BR	PISTON U-CUP-BUNA N	1
SS1000V-PE (2)	PLUNGER SEAL SET	1
T-112	O-RING/TEFLON	1
T-012	O-RING/TEFLON	1

### SEAL KIT NO. - SK1000V800-\_\_ (1)

PART NUMBER	DESCRIPTION	QUANTITY
BR-010	O-RING/BUNA N	6
BR-128	O-RING/BUNA N	1
BR-120	O-RING/BUNA N	1
BR-152	O-RING/BUNA N	1
BR-170	O-RING/BUNA N	1
BR-443	O-RING/BUNA N	1
BR-223-90	BODY SEAL O-RING	1
MC102261	PISTON GUIDE RING	1
SS1000V-PE (2)	PLUNGER SEAL SET	1
T-112	O-RING/TEFLON	1
T-012	O-RING/TEFLON	1
OR102387	SEALING RING/TEFLON	1

(1): To order proper plunger seal set materials for a seal kit, please indicate the appropriate letter as shown below. All other seal materials in the seal kit will remain the same unless specified otherwise at the placement of order.

Example: SK1000V400-PE • Change PE to TG for Teflon Graphite  
 PE - Polyethylene  
 TG - Teflon Graphite  
 TC - Teflon Composite  
 V - Viton  
 BR - Buna N  
 K - Kalrez

SK-P1000V • Revised 12-99