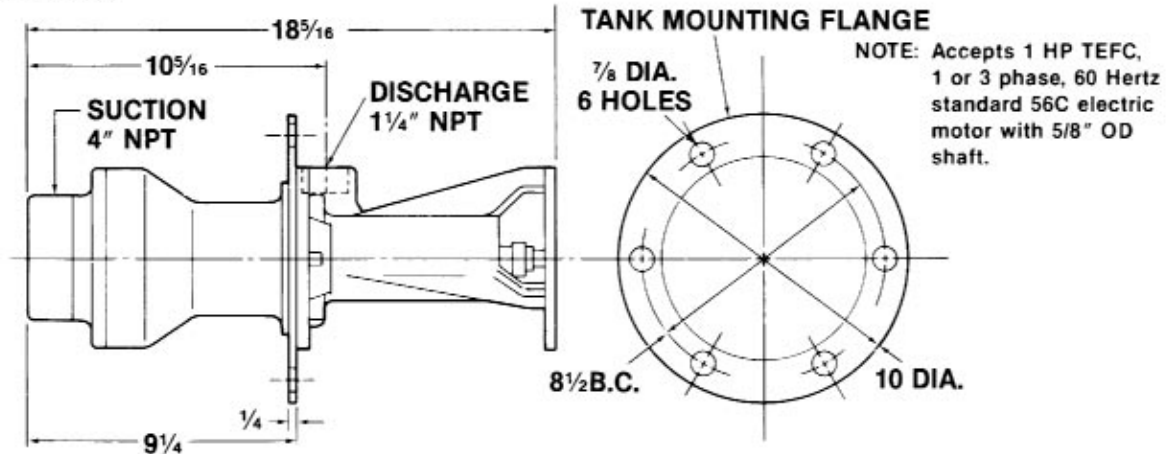


SPECIFICATION DATA
MOYNO® 500 PUMPS
400 SERIES GRINDER PUMPS
415, 422, 433, AND 444 MODELS

DIMENSIONS



All dimensions are in inches.
Specifications subject to change without notice.

PERFORMANCE (1 HP, 1725 RPM, water at 70°F)

HEAD IN FEET	DISCHARGE PRESSURE (PSIG)	CAPACITY IN GAL. PER MIN. BY MODEL NUMBER			
		41502	42202	43302	44402
0	0	1.95	5.1	9.2	14.6
10	4.3	1.90	5.0	9.0	14.4
20	8.7	1.85	4.8	8.5	14.0
30	13.0	1.80	4.5	8.1	13.4
40	17.3	1.76	4.4	7.7	13.0
50	21.7	1.70	4.2	7.2	12.4
60	26.0	1.67	4.0	6.8	12.0
70	30.3	1.64	3.9	6.4	11.4
80	34.6	1.60	3.8	6.0	10.8
NPSHR Ft.		1.2	1.9	2.6	4.1

NOTE: In application other than sewage, maximum fluid viscosity cannot exceed 100 CP (500 SSU).

MATERIALS OF CONSTRUCTION

Housing.....Cast iron
Rotor.....416 Stainless steel
Stator.....NBR (Nitrile)

WEIGHT:

Pump only.....50 lbs.
Pump with motor.....90 lbs. (Approx.)

400 SERIES GRINDER PUMPS

