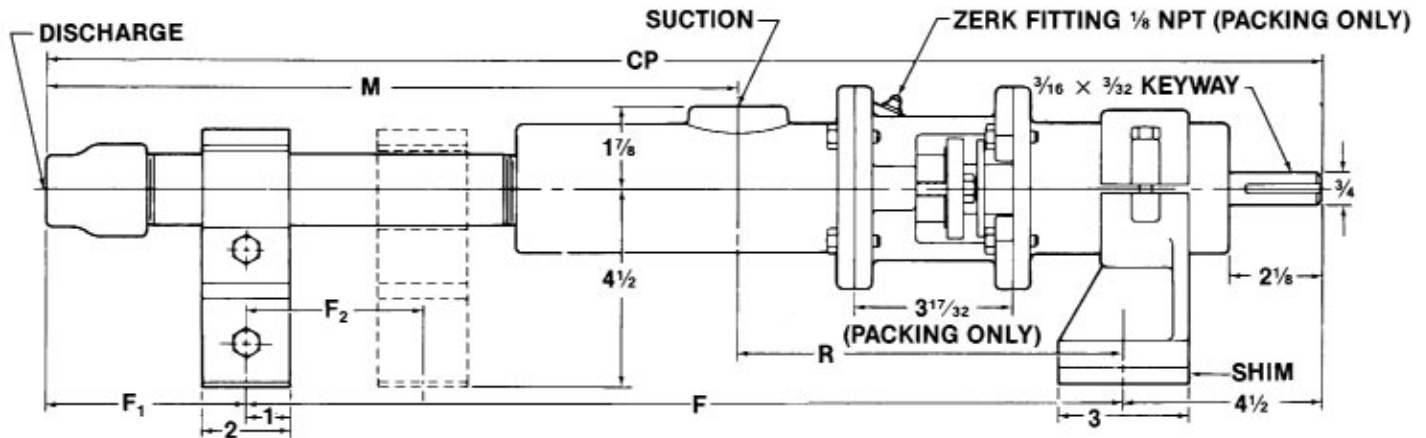
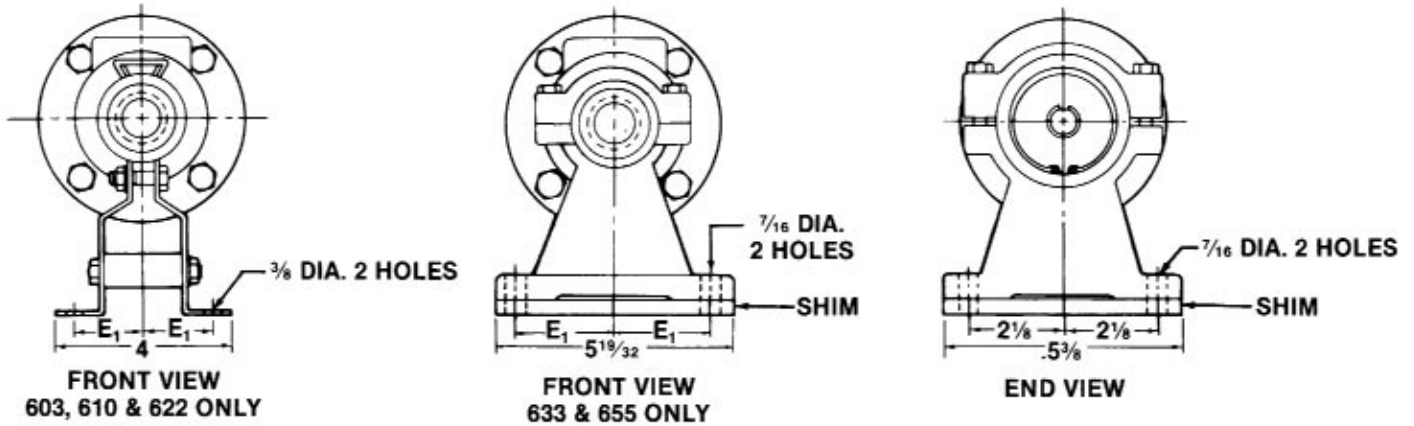


SPECIFICATION DATA  
**MOYNO® 500 PUMPS**

603, 610, 622, 633, AND 655 MODELS

**DIMENSIONS**



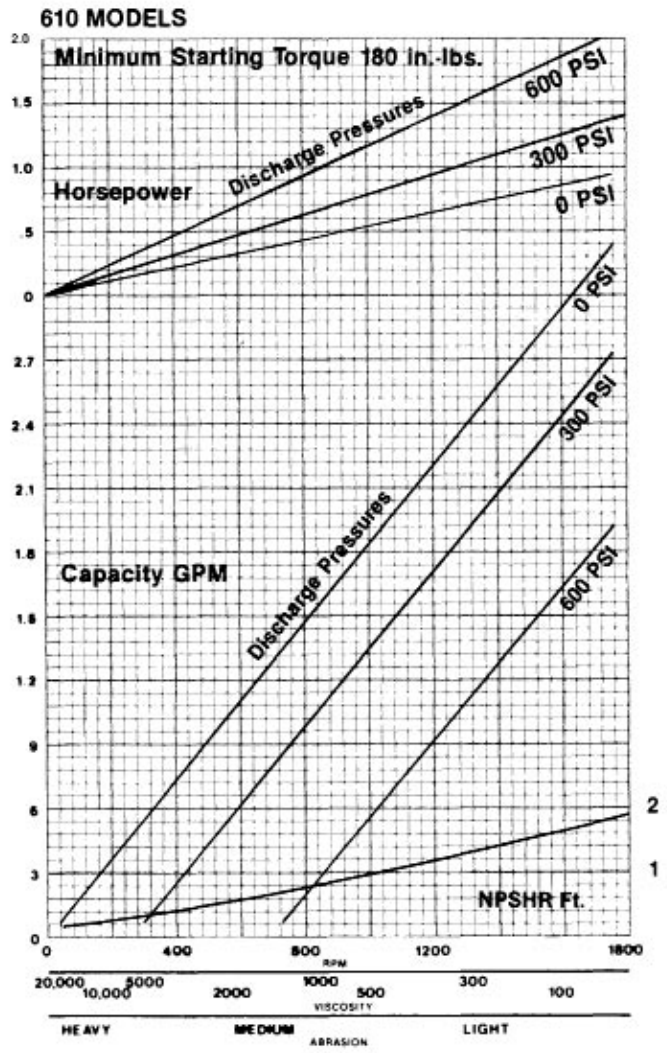
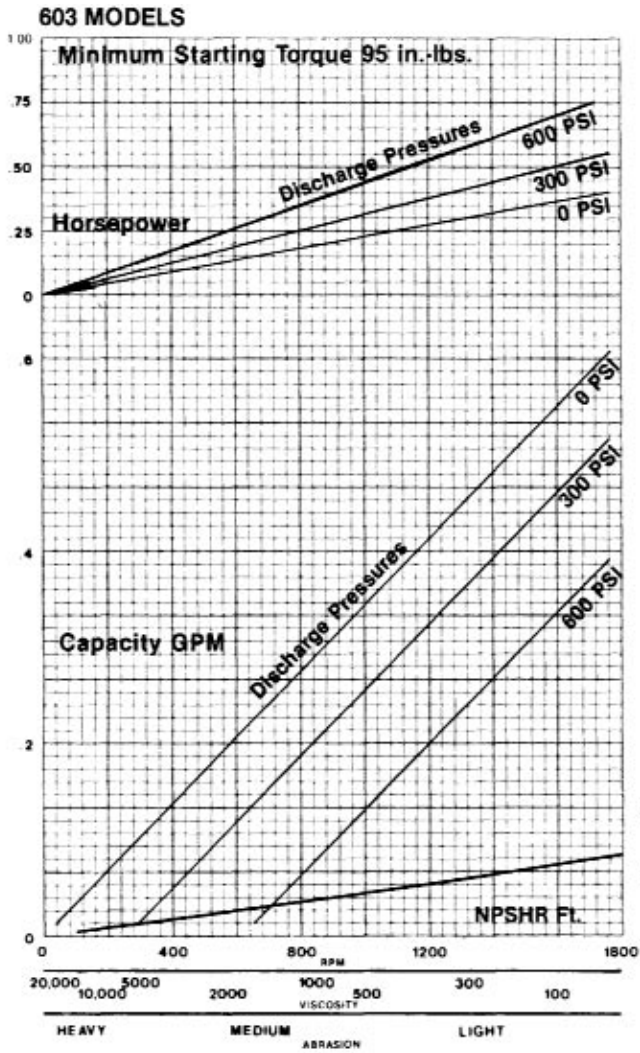
**600 SERIES**

| MODELS | CP                               | E <sub>1</sub>                 | F                                | F <sub>1</sub>                  | F <sub>2</sub>                  | M                               | R                               | SUCT. (NPT)                   | DISCH. (NPT)                  | WEIGHT (LBS.) |
|--------|----------------------------------|--------------------------------|----------------------------------|---------------------------------|---------------------------------|---------------------------------|---------------------------------|-------------------------------|-------------------------------|---------------|
| 60301  | 24 <sup>25</sup> / <sub>32</sub> | 1 <sup>9</sup> / <sub>16</sub> | 15 <sup>1</sup> / <sub>4</sub>   | 5 <sup>1</sup> / <sub>32</sub>  | —                               | 15                              | 5 <sup>1</sup> / <sub>4</sub>   | <sup>3</sup> / <sub>4</sub>   | <sup>1</sup> / <sub>2</sub>   | 30            |
| *60311 | 28 <sup>5</sup> / <sub>16</sub>  | 1 <sup>9</sup> / <sub>16</sub> | 18 <sup>25</sup> / <sub>32</sub> | 5 <sup>1</sup> / <sub>32</sub>  | —                               | 15                              | 8 <sup>15</sup> / <sub>32</sub> | <sup>3</sup> / <sub>4</sub>   | <sup>1</sup> / <sub>2</sub>   | 38            |
| 61001  | 32 <sup>3</sup> / <sub>8</sub>   | 1 <sup>9</sup> / <sub>16</sub> | 22 <sup>3</sup> / <sub>4</sub>   | 5 <sup>1</sup> / <sub>8</sub>   | —                               | 22 <sup>5</sup> / <sub>8</sub>  | 5 <sup>1</sup> / <sub>4</sub>   | <sup>3</sup> / <sub>4</sub>   | <sup>3</sup> / <sub>4</sub>   | 32            |
| *61011 | 35 <sup>29</sup> / <sub>32</sub> | 1 <sup>9</sup> / <sub>16</sub> | 22 <sup>3</sup> / <sub>4</sub>   | 8 <sup>11</sup> / <sub>16</sub> | —                               | 22 <sup>5</sup> / <sub>8</sub>  | 8 <sup>15</sup> / <sub>32</sub> | <sup>3</sup> / <sub>4</sub>   | <sup>3</sup> / <sub>4</sub>   | 40            |
| 62201  | 37 <sup>5</sup> / <sub>8</sub>   | 1 <sup>9</sup> / <sub>16</sub> | 22 <sup>3</sup> / <sub>4</sub>   | 10 <sup>3</sup> / <sub>8</sub>  | 10 <sup>1</sup> / <sub>4</sub>  | 27 <sup>7</sup> / <sub>8</sub>  | 5 <sup>1</sup> / <sub>4</sub>   | <sup>3</sup> / <sub>4</sub>   | <sup>3</sup> / <sub>4</sub>   | 32            |
| *62211 | 41 <sup>5</sup> / <sub>32</sub>  | 1 <sup>9</sup> / <sub>16</sub> | 22 <sup>11</sup> / <sub>16</sub> | 14                              | 7 <sup>11</sup> / <sub>16</sub> | 27 <sup>7</sup> / <sub>8</sub>  | 8 <sup>15</sup> / <sub>32</sub> | <sup>3</sup> / <sub>4</sub>   | <sup>3</sup> / <sub>4</sub>   | 40            |
| 63301  | 27 <sup>9</sup> / <sub>16</sub>  | 2 <sup>1</sup> / <sub>8</sub>  | 14 <sup>3</sup> / <sub>4</sub>   | 8 <sup>5</sup> / <sub>16</sub>  | —                               | 17 <sup>7</sup> / <sub>8</sub>  | 5 <sup>1</sup> / <sub>4</sub>   | 1 <sup>1</sup> / <sub>4</sub> | 1 <sup>1</sup> / <sub>4</sub> | 40            |
| *63311 | 31 <sup>23</sup> / <sub>32</sub> | 2 <sup>1</sup> / <sub>8</sub>  | 22 <sup>1</sup> / <sub>4</sub>   | 4 <sup>31</sup> / <sub>32</sub> | —                               | 17 <sup>7</sup> / <sub>8</sub>  | 8 <sup>15</sup> / <sub>32</sub> | 1 <sup>1</sup> / <sub>4</sub> | 1 <sup>1</sup> / <sub>4</sub> | 48            |
| 65501  | 27 <sup>13</sup> / <sub>16</sub> | 2 <sup>1</sup> / <sub>8</sub>  | 14 <sup>3</sup> / <sub>4</sub>   | 8 <sup>9</sup> / <sub>16</sub>  | —                               | 18 <sup>1</sup> / <sub>16</sub> | 5 <sup>1</sup> / <sub>4</sub>   | 1 <sup>1</sup> / <sub>4</sub> | 1 <sup>1</sup> / <sub>4</sub> | 38            |
| *65511 | 31 <sup>11</sup> / <sub>32</sub> | 2 <sup>1</sup> / <sub>8</sub>  | 22 <sup>1</sup> / <sub>4</sub>   | 4 <sup>19</sup> / <sub>32</sub> | —                               | 18 <sup>1</sup> / <sub>16</sub> | 8 <sup>15</sup> / <sub>32</sub> | 1 <sup>1</sup> / <sub>4</sub> | 1 <sup>1</sup> / <sub>4</sub> | 46            |

\*Packing Gland Models.

All dimensions are in inches.  
Specifications subject to change without notice.

## PERFORMANCE (water at 70°F)

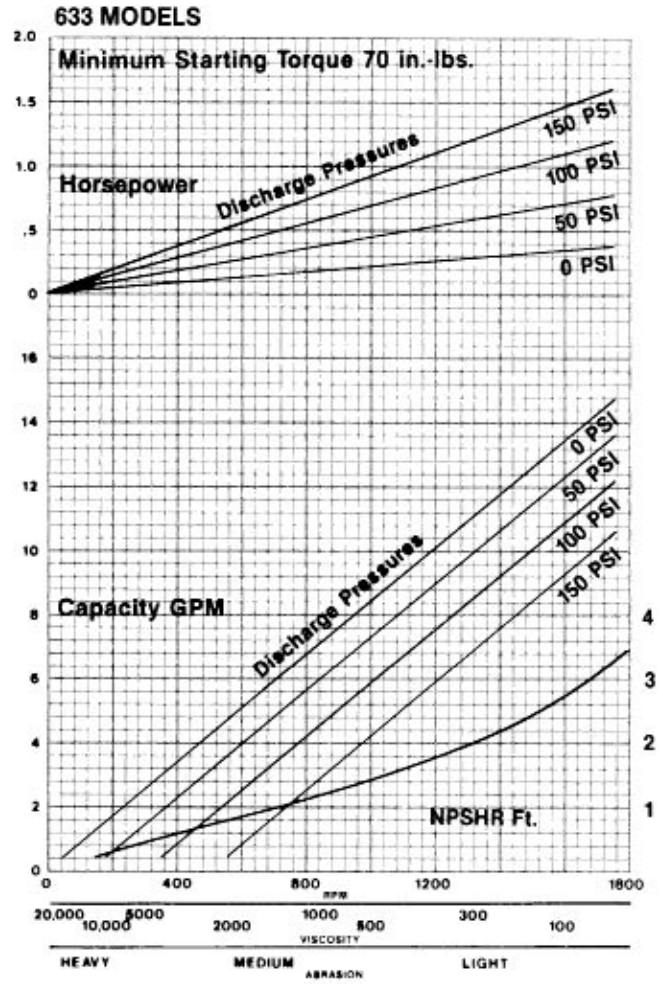
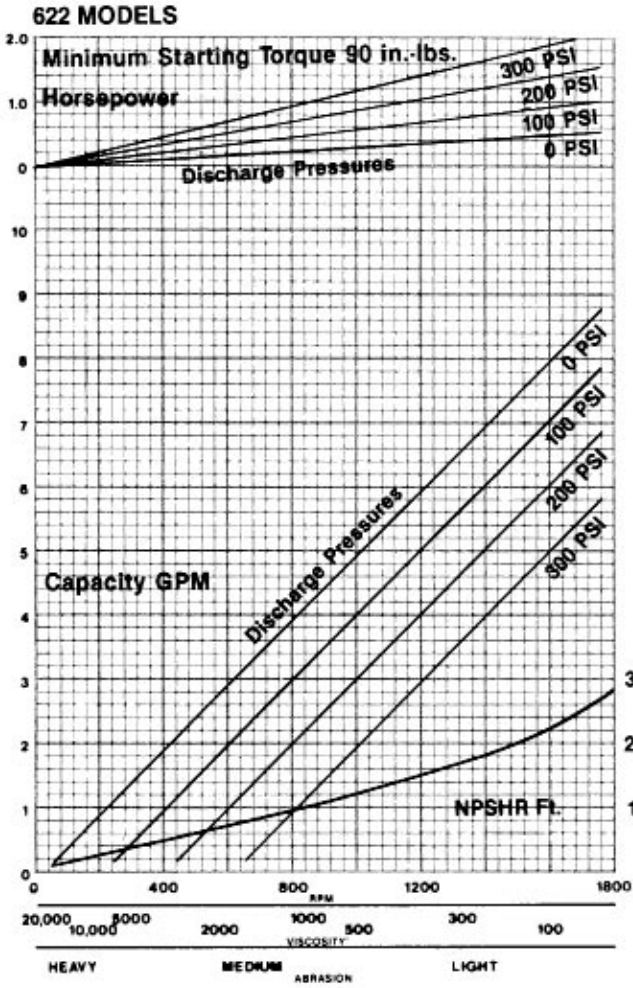


## MATERIALS OF CONSTRUCTION

| COMPONENT | ALL MODELS    |
|-----------|---------------|
| Housing   | Cast iron     |
| Rotor     | 416 SS/CP     |
| Stator    | NBR (Nitrile) |

CP = Chrome plated

# PERFORMANCE (water at 70°F) (CONT)



# PERFORMANCE (Water at 70°F) (CONT)

