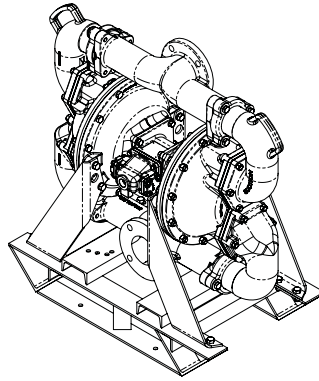


WARREN RUPP®

Quality System
ISO9001 Certified

Environmental
Management System
ISO14001 Certified

IDEX
FLUID & METERING



Ex II 2GD T5

CE

SANDPIPER®

A WARREN RUPP PUMP BRAND

DRILLER'S MUD SERIES

**DMF3 Type 7
3" Flap Valve**

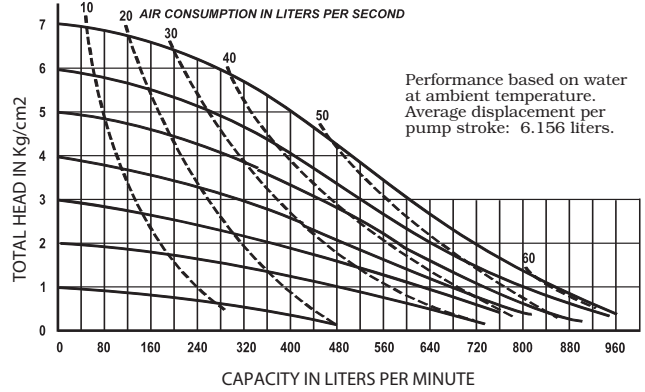
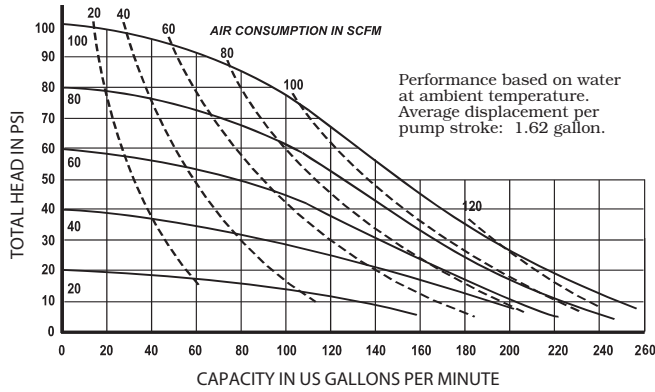
**Air-Operated
Double Diaphragm Pump**

ENGINEERING, PERFORMANCE
& CONSTRUCTION DATA

INTAKE/DISCHARGE PIPE SIZE	CAPACITY	AIR VALVE	SOLIDS-HANDLING	HEADS UP TO
3" (75mm) 125# ASA FLANGE	0 to 260 gallons per minute (0 to 988 liters per minute)	No-lube, no-stall design.	Up to nearly 3" (75mm)	125 psi or 289 ft. of water (8.8 Kg/cm ² or 88 meters)

PERFORMANCE CURVES

(SANDPIPER® pumps are designed to be powered **only** by compressed air)
Temperature Limit: 212°F - 100°C MAXIMUM



MATERIALS OF CONSTRUCTION

DMF3 Type 7	Manifold Porting Bottom	Manifold Elbow	Outer Chamber	Inner Chamber	Outer Diaphragm Plate	Inner Diaphragm Plate	Intermediate Housing	Diaphragm Rod	Valve Seat	Hardware	Diaphragm	Flap Valve Material	Seat Gasket	Manifold Gasket Sealing Rings	Shipping Wt.(lbs)
DB-7	X	356-T6AL	356-T6AL	356-T6AL	Alm35AL	Alm35AL	356-T6AL	416SS	SS	PS	B	B	A	B	245

Meanings of Abbreviations:

A = Compressed Fibre
AL = Aluminum
Alm = Almag 35 Aluminum

B = Nitrile
Cl = Cast Iron

PS = Plated Steel
SS = Stainless Steel

©Warren Rupp, and SANDPIPER are registered tradenames of Warren Rupp, Inc.

DMF3

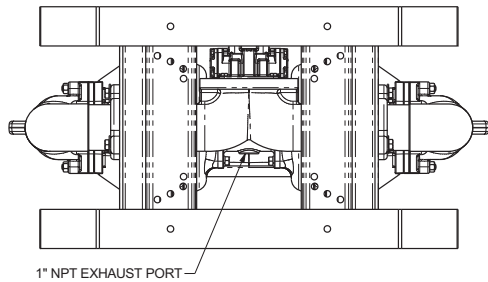
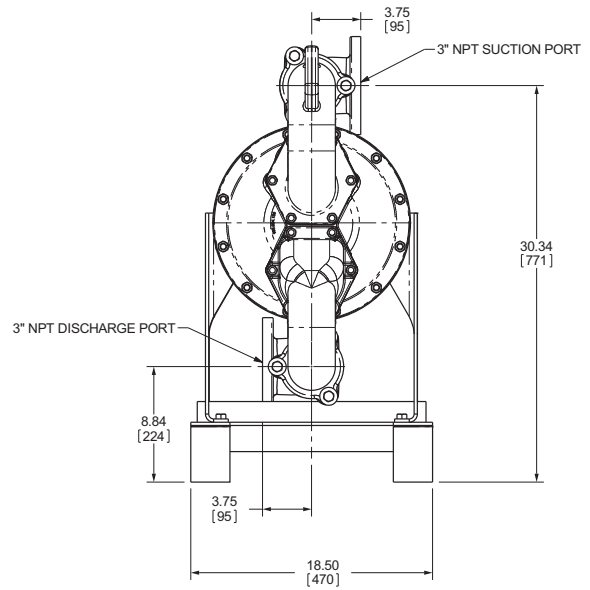
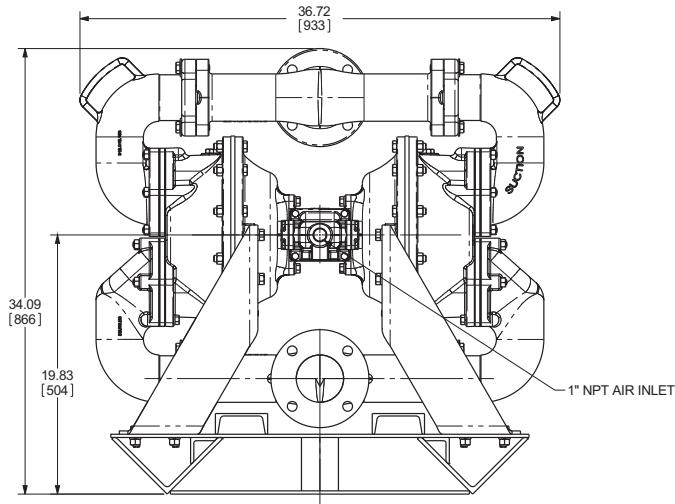


MATERIALS	Operating Temperatures	
	Maximum	Minimum
NITRILE General purpose, oil-resistant. Shows good solvent, oil, water and hydraulic fluid resistance. Should not be used with highly polar solvents like acetone and MEK, ozone, chlorinated hydrocarbons and nitro hydrocarbons.	190°F 88°C	-10°F -23°C

For specific applications, always consult the Warren Rupp Chemical Resistance Chart.

*Definite reduction in service life.
**Minimal reduction in service life at ends of range.

Model DMF3



Dimensions are ± 1/8"
Figures in parenthesis = millimeters