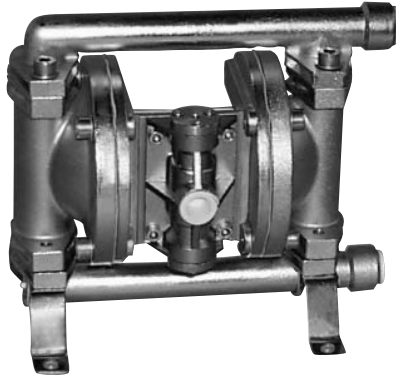


**WARREN
RUPP®**

Quality System
ISO9001 Certified

Environmental
Management System
ISO14001 Certified

IDEX
FLUID & METERING



SANDPIPER®

A WARREN RUPP PUMP BRAND

**E02 Metallic
X02 Metallic (ATEX Compliant)**



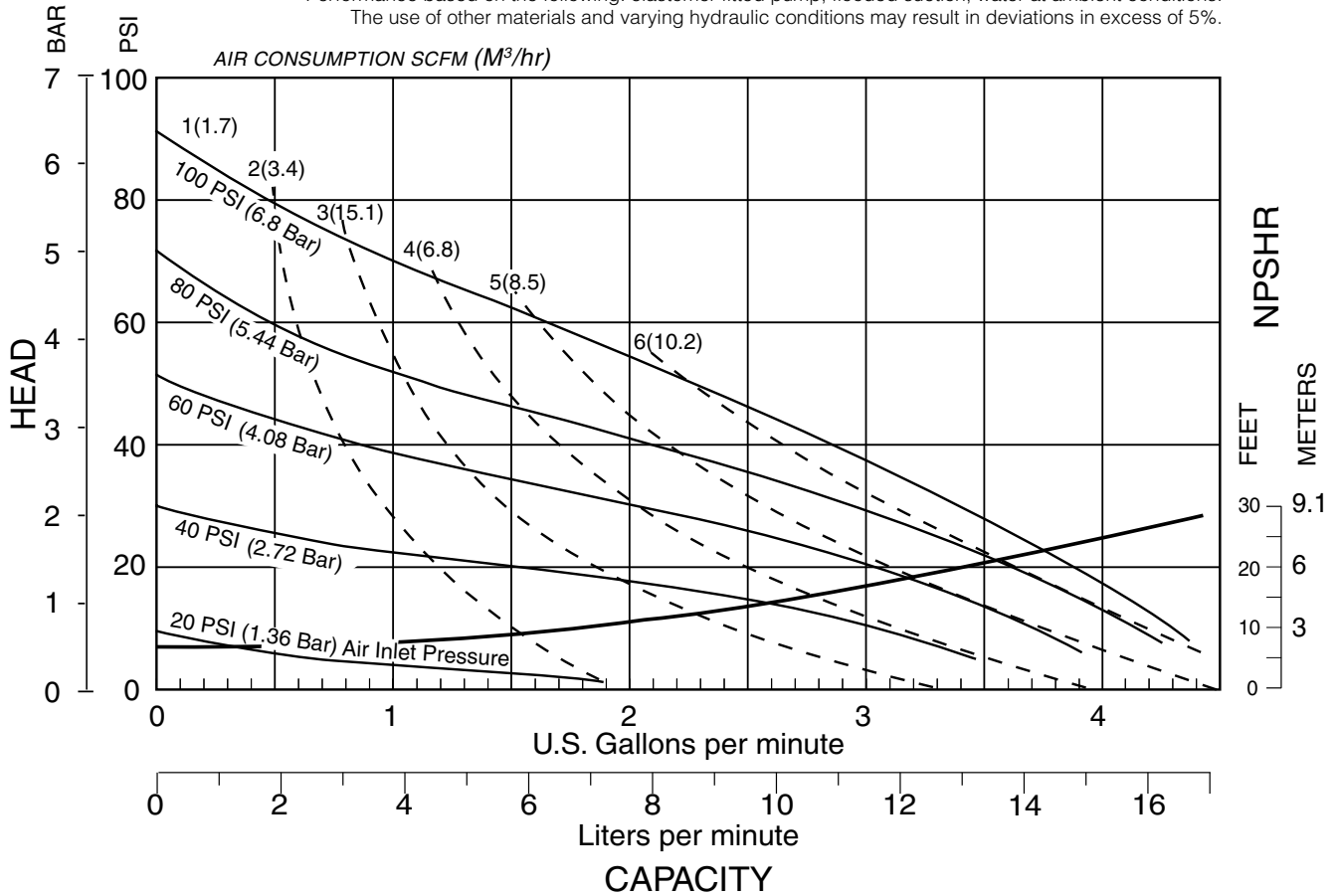
**Design Level 4
Ball Valve
Air-Operated
Double Diaphragm Pump**

ENGINEERING, PERFORMANCE
& CONSTRUCTION DATA

INTAKE/DISCHARGE PIPE SIZE ¼" NPT (Internal)	CAPACITY 0 to 4.4 gallons per minute (0 to 16.6 liters per minute)	AIR VALVE Non-stall design	SOLIDS-HANDLING Up to .079 in. (2 mm)	HEADS UP TO 125 psi or 289 ft. of water (8.6 bar or 86 meters)	DISPLACEMENT/STROKE .003 Gallon / .01 liter
---	--	----------------------------------	--	--	--

MODEL E02/X02 Metallic Performance Curve

Performance based on the following: elastomer fitted pump, flooded suction, water at ambient conditions.
The use of other materials and varying hydraulic conditions may result in deviations in excess of 5%.



SANDPIPER® pumps are designed to be powered only by compressed air.

