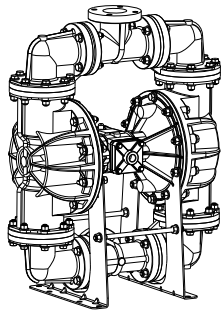


**WARREN
RUPP®**

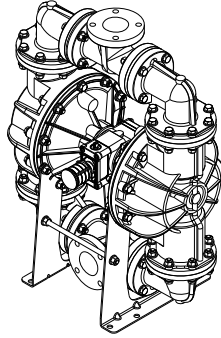
Quality System
ISO9001 Certified

Environmental
Management System
ISO14001 Certified

IDEX
FLUID & METERING



Air Inlet Side View



Air Exhaust Side View

U.S. Patent #5,851,109; 5,996,627; 400,210
& 6,241,487
Other U.S. Patents Applied for



SANDPIPER®

A WARREN RUPP PUMP BRAND

**S30 Non-Metallic
Design Level 2
Ball Valve**

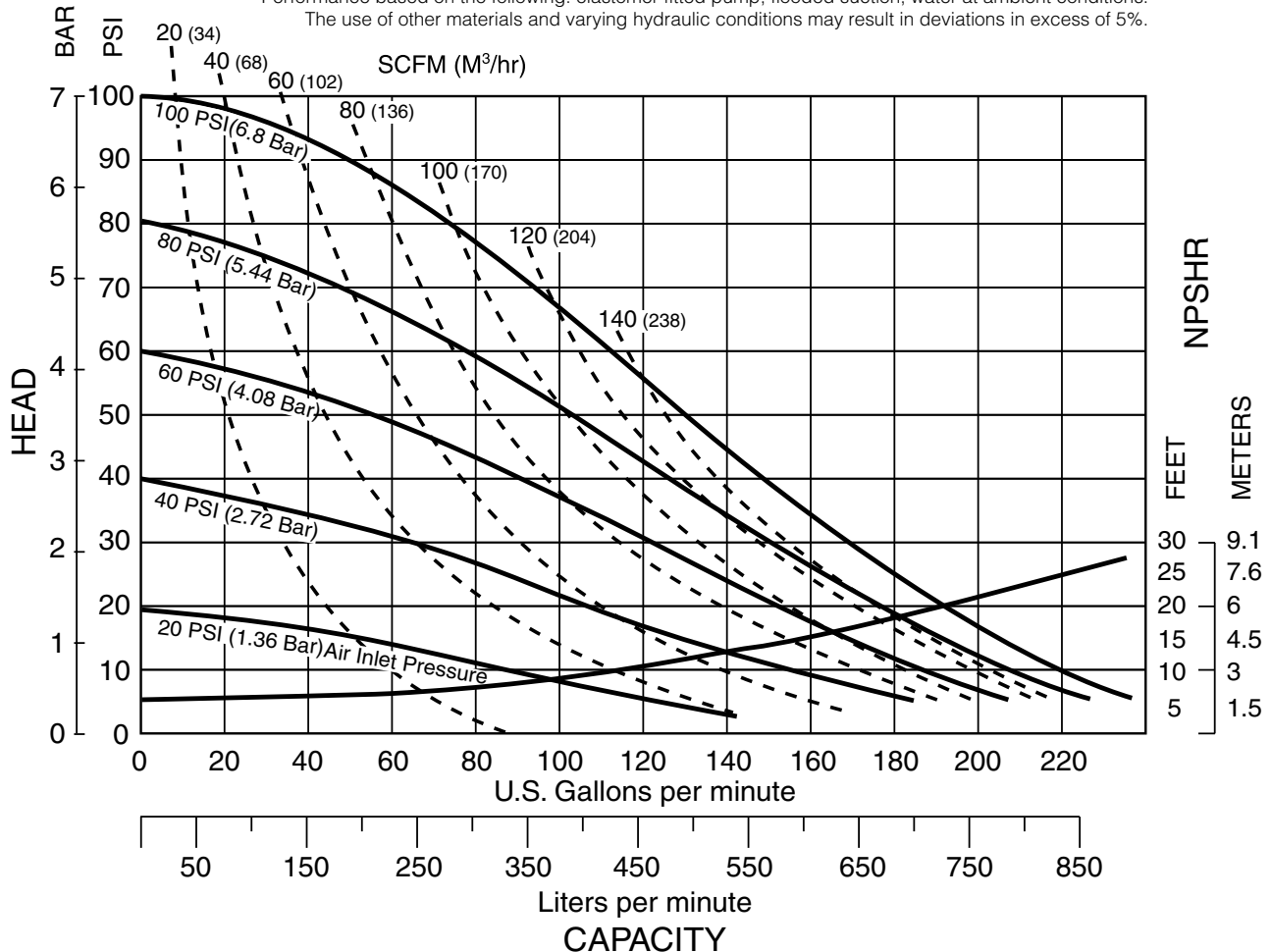
**Air-Operated
Double Diaphragm Pump**

ENGINEERING, PERFORMANCE
& CONSTRUCTION DATA

| INTAKE/DISCHARGE PIPE SIZE | CAPACITY | AIR VALVE | SOLIDS-HANDLING | HEADS UP TO | DISPLACEMENT/STROKE |
|--------------------------------------|---|-----------------------------|----------------------|---|------------------------|
| 3" ANSI Flange or 80mm DIN Flange | 0 to 238 gallons per minute (0 to 901 liters per minute) | No-lube, no-stall design | Up to .71 in. (18mm) | 100 psi or 231 ft. of water (7 bar or 70 meters) | .9 Gallon / 3.41 liter |

MODEL S30 Non-Metallic Performance Curve

Performance based on the following: elastomer fitted pump, flooded suction, water at ambient conditions.
The use of other materials and varying hydraulic conditions may result in deviations in excess of 5%.



SANDPIPER® pumps are designed to be powered only by compressed air.

Explanation of Pump Nomenclature

S30 Non-Metallic · Design Level 2· Ball Valve

| MODEL | Pump Brand | Pump Size | Check Valve Type | Design Level | Wetted Material | Diaphragm/Check Valve Materials | Check Valve Seat | Non-Wetted Material Options | Porting Options | Pump Style | Pump Options | Shipping Kit Options | Weight lbs. (kg) |
|-----------------|------------|-----------|------------------|--------------|-----------------|---------------------------------|------------------|-----------------------------|-----------------|------------|--------------|----------------------|------------------|
| S30B2P1PQAS000. | S | 30 | B | 2 | P | 1 | P | Q | A | S | 0 | 00. | 231 (105) |
| S30B2P2PQAS000. | S | 30 | B | 2 | P | 2 | P | Q | A | S | 0 | 00. | 231 (105) |
| S30B2K1KQAS000. | S | 30 | B | 2 | K | 1 | K | Q | A | S | 0 | 00. | 315 (143) |
| S30B2K2KQAS000. | S | 30 | B | 2 | K | 2 | K | Q | A | S | 0 | 00. | 315 (143) |
| S30B2P4PQAV000. | S | 30 | B | 2 | P | 4 | P | Q | A | V | 0 | 00. | 270 (122) |
| S30B2K4KQAV000. | S | 30 | B | 2 | K | 4 | K | Q | A | V | 0 | 00. | 354 (161) |

Pump Brand

S= SANDPIPER®

Pump Size

30=3"

Check Valve Type

B= Ball

Design Level

2= Design Level 2

Wetted Material

K= PVDF

P= Polypropylene

Diaphragm Check Valve Materials

1= Santoprene/Santoprene

2= PTFE-Santoprene Backup/PTFE

3= PTFE Pumping, PTFE-Santoprene Backup Driver/PTFE

4= Santoprene Pumping, Santoprene Driver/Santoprene

Check Valve Seat

K= PVDF

P= Polypropylene

U= Polyurethane/ Polyurethane

Non-Wetted Material Options

A= Painted Aluminum

J= Painted Aluminum PTFE

Q= Epoxy Coated Aluminum

K= PTFE Coated Aluminum

L= PTFE Coated Aluminum with PTFE Coated Hardware

R= Epoxy Coated Aluminum with PTFE Coated Hardware

Porting Options

A= ANSI Flange

D= DIN Flange

7= Dual Porting (ANSI)

8= Top Dual Porting (ANSI)

9= Bottom Dual Porting (ANSI)

Pump Style

D= Spill Containment with Electronic Leak Detection (110V)

E= Spill Containment with Electronic Leak Detection (220V)

M= Spill Containment with Mechanical Leak Detection

S= Standard

V= Spill Containment with Visual Leak Detection

Pump Options

0= None

1= Sound Dampening Muffler

2= Mesh Muffler

3= High temperature Air Valve w/Integral Muffler

4= High temperature Air Valve Sound Dampening Muffler

5= High temperature

Air Valve w/Mesh Muffler

Kit Options

00.= None

P0.= 10-30VDC

Pulse Output Kit

P1.= Intrinsically-Safe

5-30VDC, 110/120VAC, 220/240VAC

Pulse Output Kit

P2.= 110/120 or 220/240VAC

Pulse Output Kit

Kit Options, Continued

E0.= Solenoid Kit with 24VDC Coil

E1.= Solenoid Kit with 24VDC Explosion-Proof Coil

E2.= Solenoid Kit with 24VAC/12VDC Coil

E3.= Solenoid Kit with 12VDC Explosion-Proof Coil

E4.= Solenoid Kit with 110VAC Coil

E5.= Solenoid Kit with 110VAC, 60 Hz Explosion-Proof Coil

E6.= Solenoid Kit with 220VAC Coil

E7.= Solenoid Kit with 220VAC, 60 Hz Explosion-Proof Coil

E8.= Solenoid Kit with 110VAC, 50 Hz Explosion-Proof Coil

E9.= Solenoid Kit with 230VAC, 50 Hz Explosion-Proof Coil

SP.= Stroke Indicator Pins



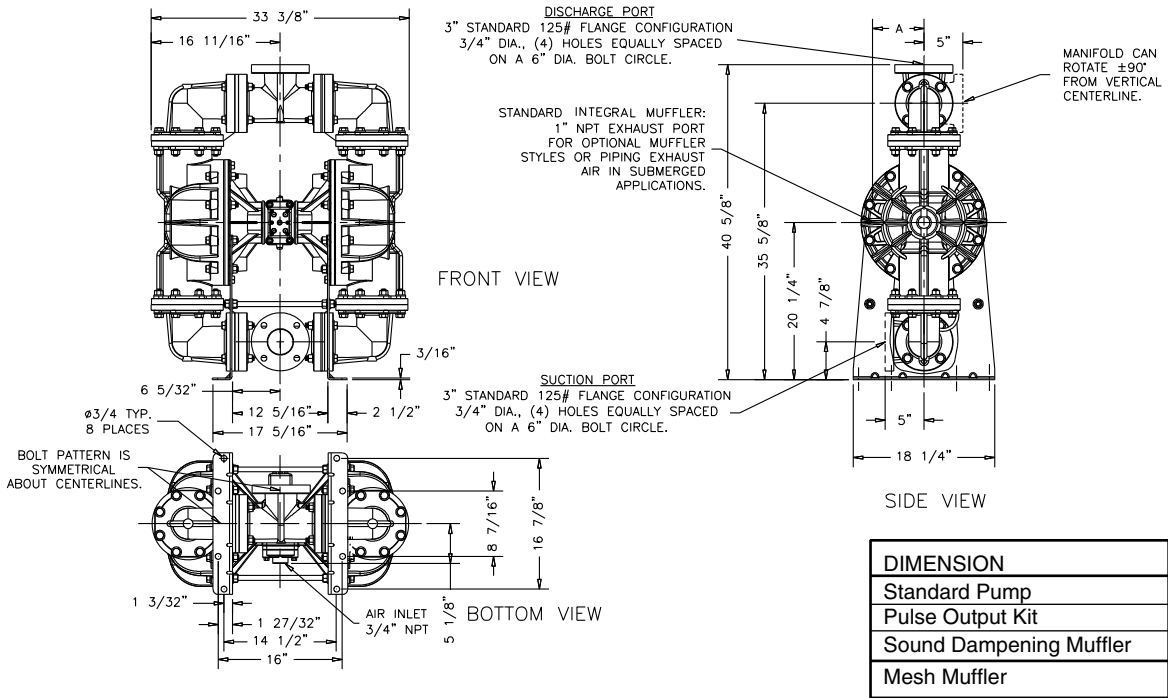
CAUTION! Operating temperature limitations are as follows:

| Materials | Operating Temperatures | |
|---|------------------------|----------------|
| | Maximum | Minimum |
| Santoprene®: Injection molded thermoplastic elastomer with no fabric layer. Long mechanical flex life. Excellent abrasion resistance. | 212°F 100°C | -10°F -23°C |
| Virgin PTFE: Chemically inert, virtually impervious. Very few chemicals are known to react chemically with PTFE molten alkali metals, turbulent liquid or gaseous fluorine and a few fluoro-chemicals such as chlorine trifluoride or oxygen difluoride which readily liberate free fluorine at elevated temperatures. | 212°F 100°C | -35°F -37°C |
| Polypropylene: | 150°F 65°C | -40°F 5°C |
| PVDF: | 200°F 93°C | 10°F -13°C |
| Polyurethane: | 210°F 99°C | -40°F -40°C |

For specific applications, always consult the Warren Rupp "Chemical Resistance Chart"

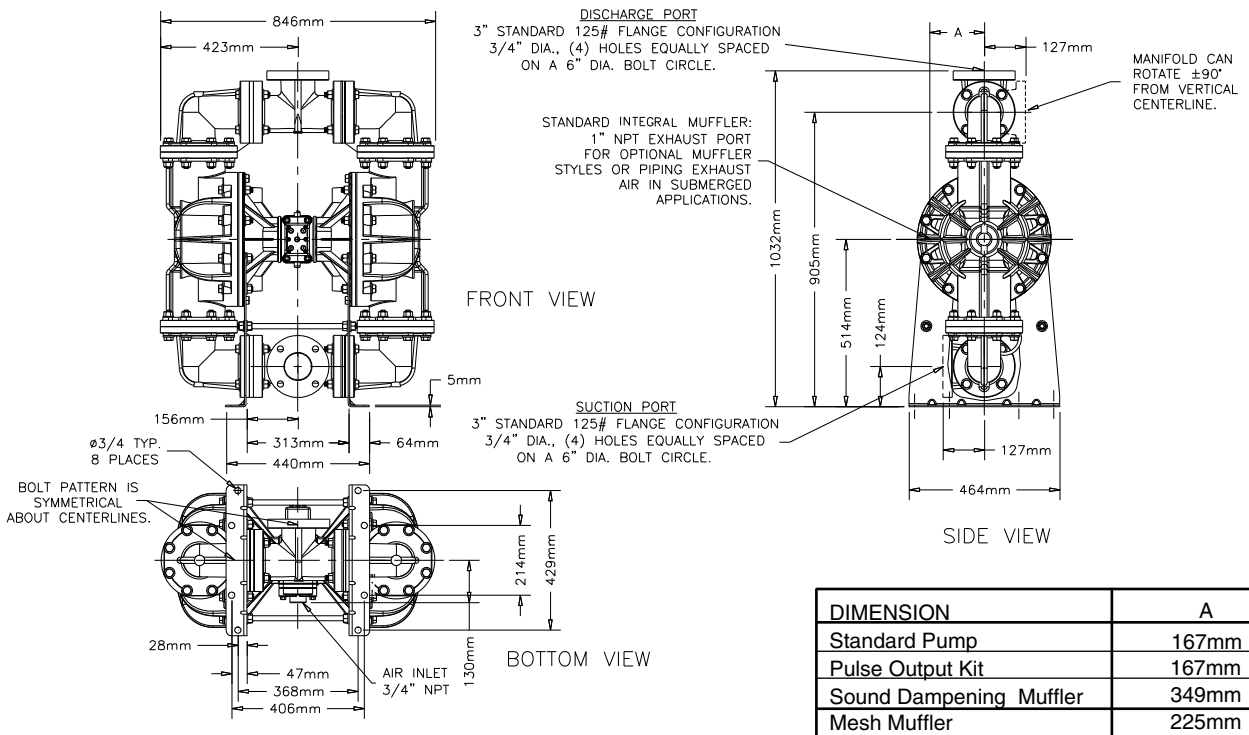
Dimensions: S30 Non-Metallic

Dimensions in Inches
Dimensional Tolerance: $\pm 1/8"$



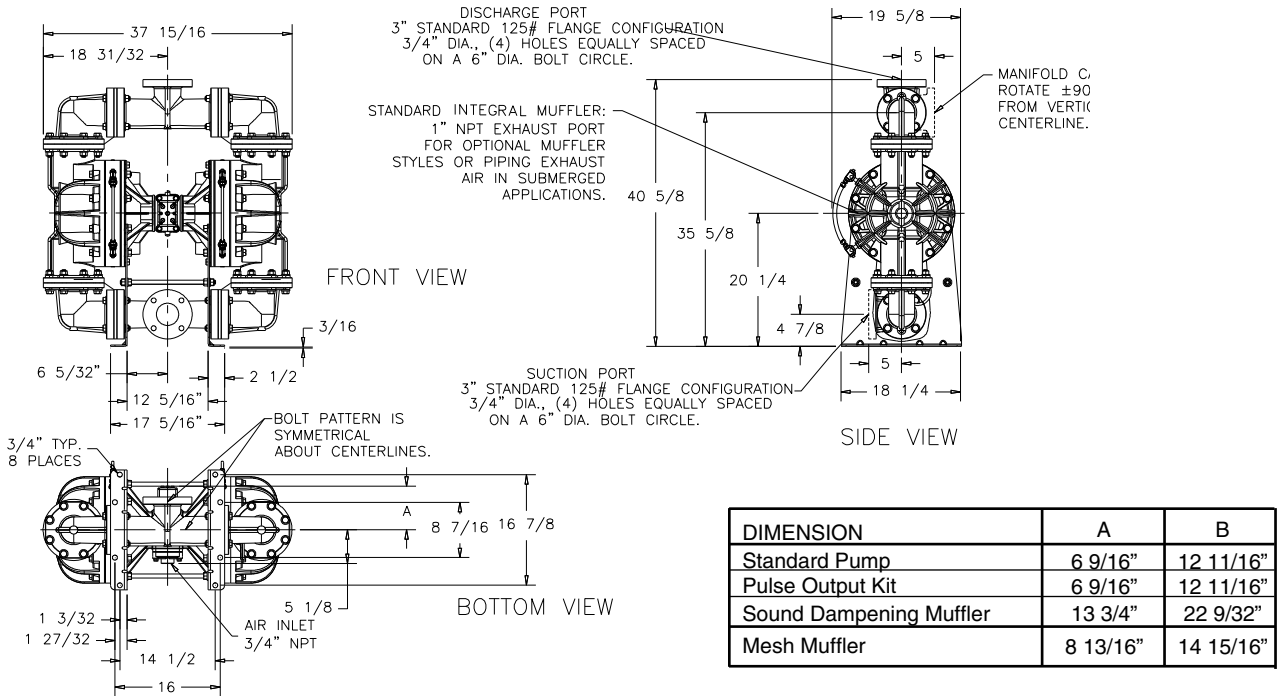
Note: Porting Flanges are also available with PN10 80mm DIN bolting configuration.

Dimensions in Millimeters
Dimensional Tolerance: ± 3 mm



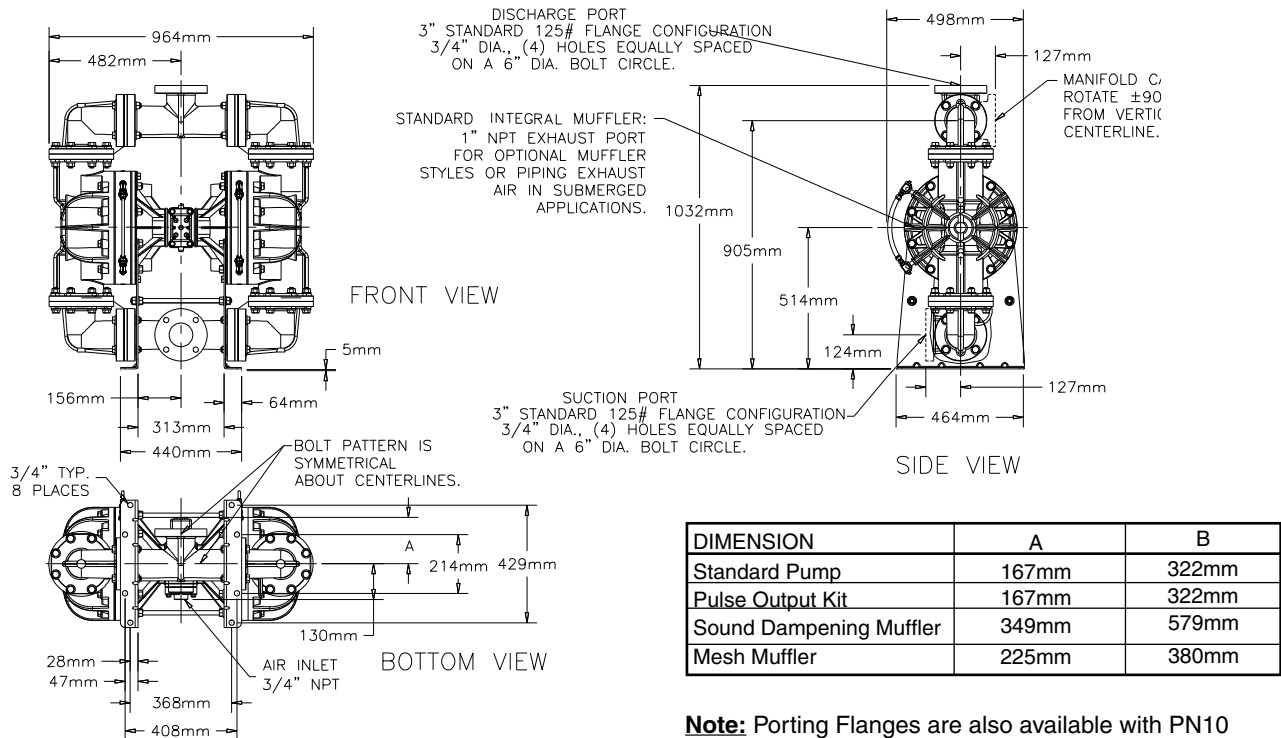
Dimensions: S30 Non-Metallic with Containment Duty

Dimensions in Inches
Dimensional Tolerance: $\pm 1/8"$



Note: Porting Flanges are also available with PN10 80mm DIN bolting configuration.

Dimensions in Millimeters
Dimensional Tolerance: ± 3 mm



Note: Porting Flanges are also available with PN10 80mm DIN bolting configuration.