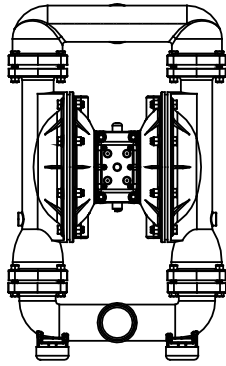


**WARREN
RUPP®**

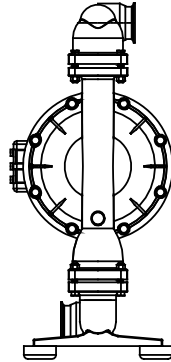
Quality System
ISO9001 Certified

Environmental
Management System
ISO14001 Certified

IDEX
FLUID & METERING



U.S. Patent #5,996,627 &
6,241,487
Other U.S. Patents Applied for



T20 Metallic FDA Compliant Design Level 1 Ball Valve

**Air-Operated
Double Diaphragm Pump**

ENGINEERING, PERFORMANCE
& CONSTRUCTION DATA



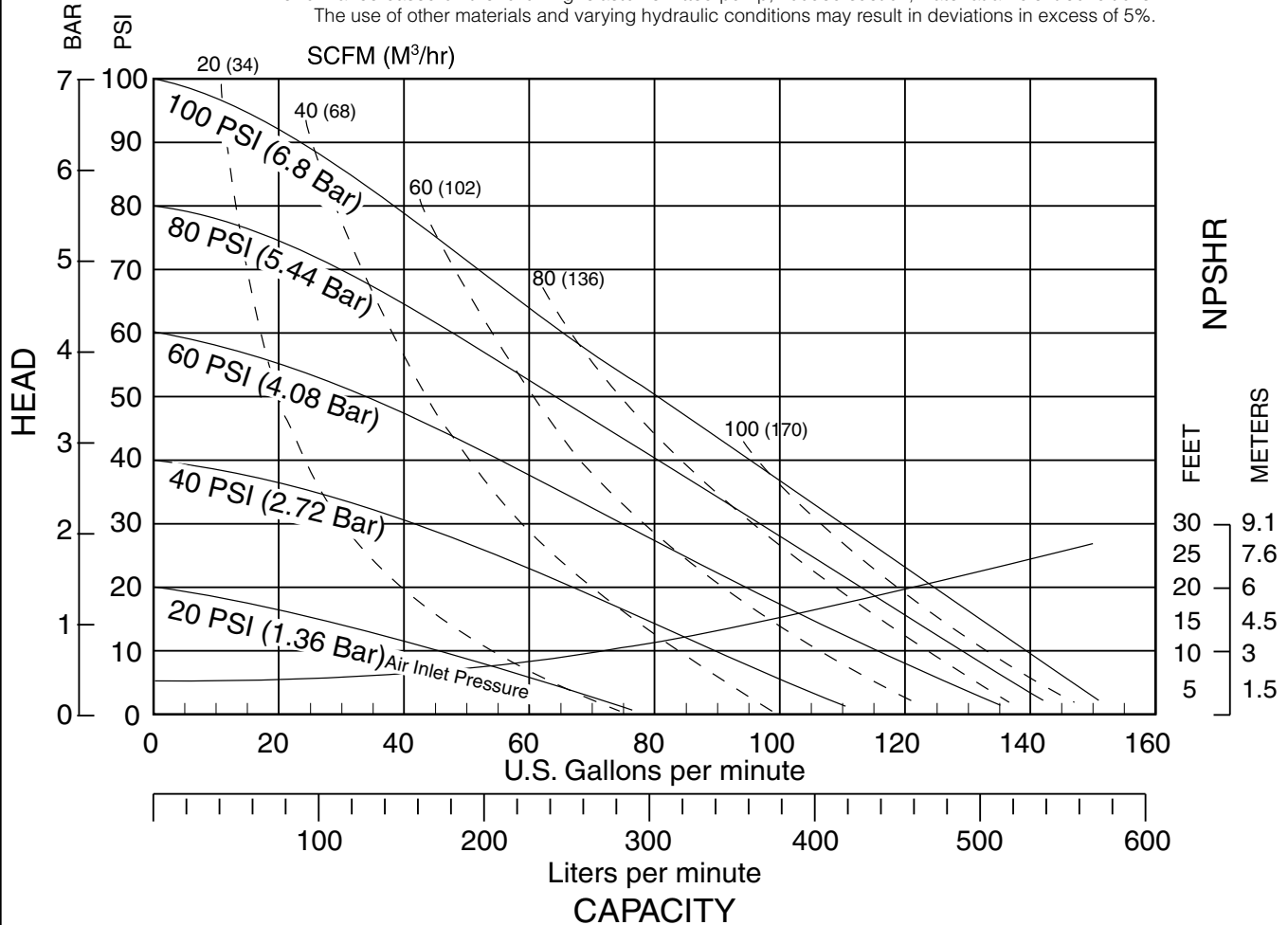
II 2GD c T5



INTAKE/DISCHARGE PIPE SIZE	CAPACITY	AIR VALVE	SOLIDS-HANDLING	HEADS UP TO	DISPLACEMENT/STROKE
2½" Sanitary Clamp Fitting	0 to 150 gallons per minute (0 to 567 liters per minute)	No-lube, no-stall design	Up to .25 in. (6mm)	125 psi or 289 ft. of water (8.6 Kg/cm ² or 86 meters)	.42 Gallon / 1.59 liter

MODEL T20 Metallic Performance Curve

Performance based on the following: elastomer fitted pump, flooded suction, water at ambient conditions.
The use of other materials and varying hydraulic conditions may result in deviations in excess of 5%.



T 20 pumps are designed to be powered only by compressed air.

Explanation of Pump Nomenclature

T20 Metallic · Design Level 1· Ball Valve

MODEL	Pump Brand	Pump Size	Check Valve Type	Design Level	Wetted Material	Diaphragm/Check Valve Materials	Check Valve Seat	Non-Wetted Material Options	Porting Options	Pump Style	Pump Options	Shipping Kit Options	Weight lbs. (kg)
T20B1SFSWTS600.	T	20	B	1	S	F	S	W	T	S	6	00.	114 (52)
T20B1SDSWTS600.	T	20	B	1	S	D	S	W	T	S	6	00.	114 (52)
T20B1SASWTS600.	T	20	B	1	S	A	S	W	T	S	6	00.	114 (52)
T20B1SFSSTS600.	T	20	B	1	S	F	S	S	T	S	6	00.	
T20B1SDSSTS600.	T	20	B	1	S	D	S	S	T	S	6	00.	
T20B1SASSTS600.	T	20	B	1	S	A	S	S	T	S	6	00.	

Pump Brand

T= FDA Compliant

Pump Size

20=2"

Check Valve Type

B= Ball

Design Level

1= Design Level

Wetted Material

S= Stainless Steel

Diaphragm Check Valve Materials

A= PTFE - FDA Nitrile/PTFE

D= FDA Santoprene/FDA Santoprene

F= FDA Nitrile/FDA Nitrile

Check Valve Seat

S= Stainless Steel

T= PTFE

Non-Wetted Material Options

S= Stainless Steel w/Stainless Steel Hardware

W=White Epoxy Coated Aluminum w/Stainless Steel Hardware

Porting Options

T= 2½" Sanitary Clamp Fitting

Pump Style

S= Standard

Pump Options

⚠ 6= Metal Muffler

Kit Options

00.=None



Note: ATEX Compliant



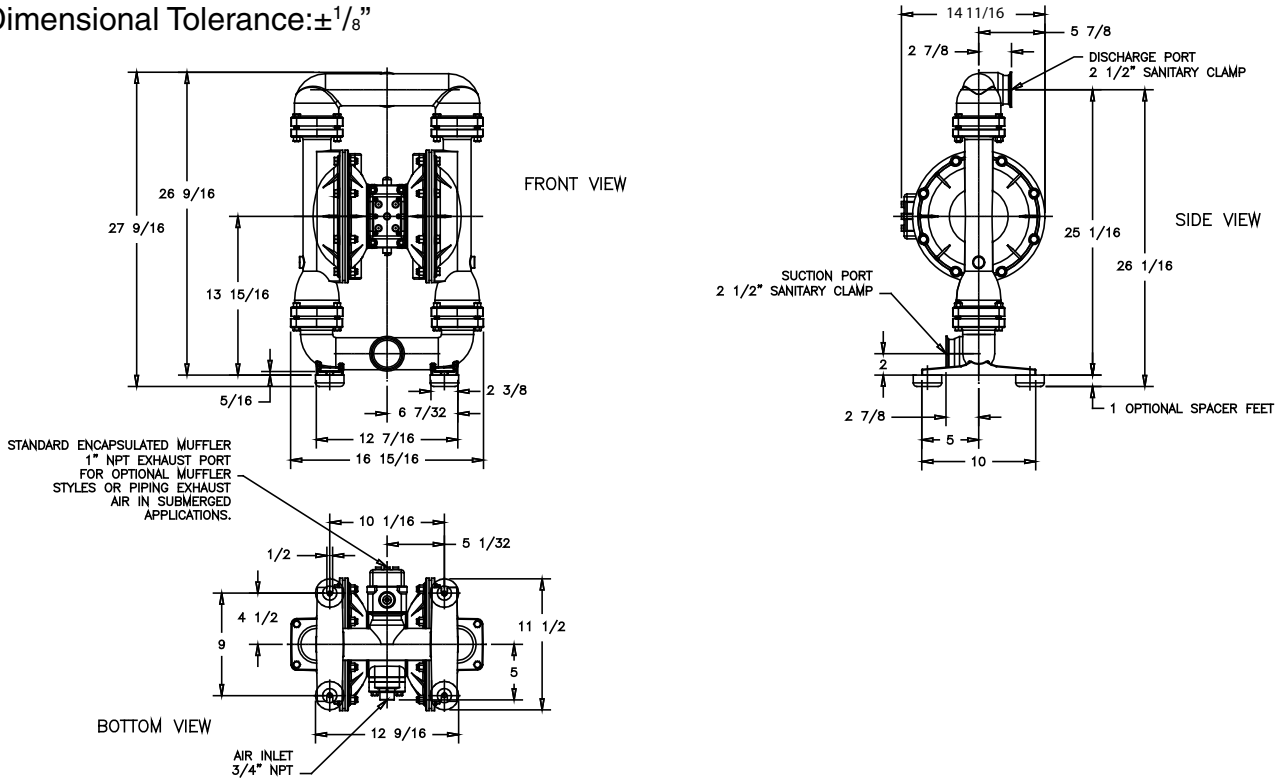
CAUTION! The maximum pump operating temperature limit is 190°F (88°C):

Materials	Temperature Limits	
	Maximum	Minimum
FDA Accepted White Nitrile General purpose, oil-resistant. Shows good solvent, oil, water and hydraulic fluid resistance. Should not be used with highly polar solvents like acetone and MEK, ozone, chlorinated hydrocarbons and nitro hydrocarbons.	190°F 88°C	-10°F -23°C
FDA Accepted Santoprene® Injection molded thermoplastic elastomer with no fabric layer. Long mechanical flex life. Excellent abrasion resistance.	275°F 135°C	-40°F -40°C
Virgin PTFE Chemically inert, virtually impervious. Very few chemicals are known to react chemically with PTFE: molten alkali metals, turbulent liquid or gaseous fluorine and a few fluoro-chemicals such as chlorine trifluoride or oxygen difluoride which readily liberate free fluorine at elevated temperatures.	220°F 104°C	-35°F -37°C

Dimensions: T20 Metallic

Dimensions in Inches

Dimensional Tolerance: $\pm 1/8$ "



Dimensions in Millimeters

Dimensional Tolerance: ± 3 mm

